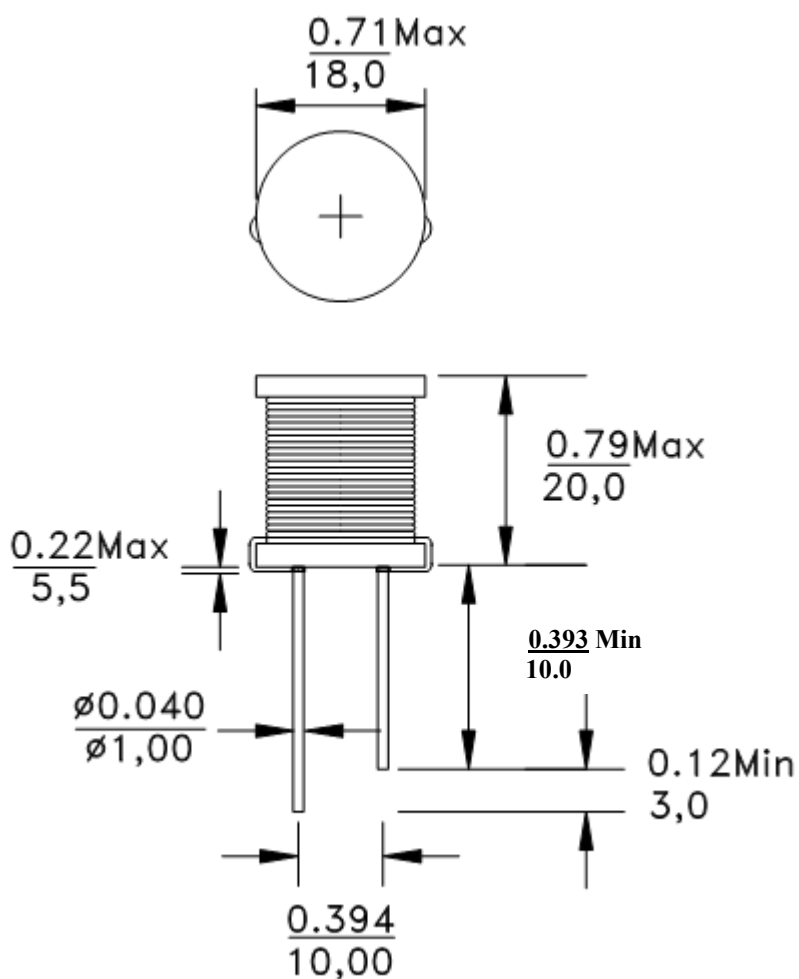


ECN/PCN No.: M1242

For Manufacturer			
Product Description: Unshielded Radial Power Inductor	Abracon Part Number / Part Series: AIUR-15 Series	<input type="checkbox"/> Documentation only <input checked="" type="checkbox"/> ECN <input type="checkbox"/> EOL	<input checked="" type="checkbox"/> Series <input type="checkbox"/> Part Number
Affected Revision: C	New Revision: D	Application:	<input type="checkbox"/> Safety <input checked="" type="checkbox"/> Non-Safety

Prior to Change:

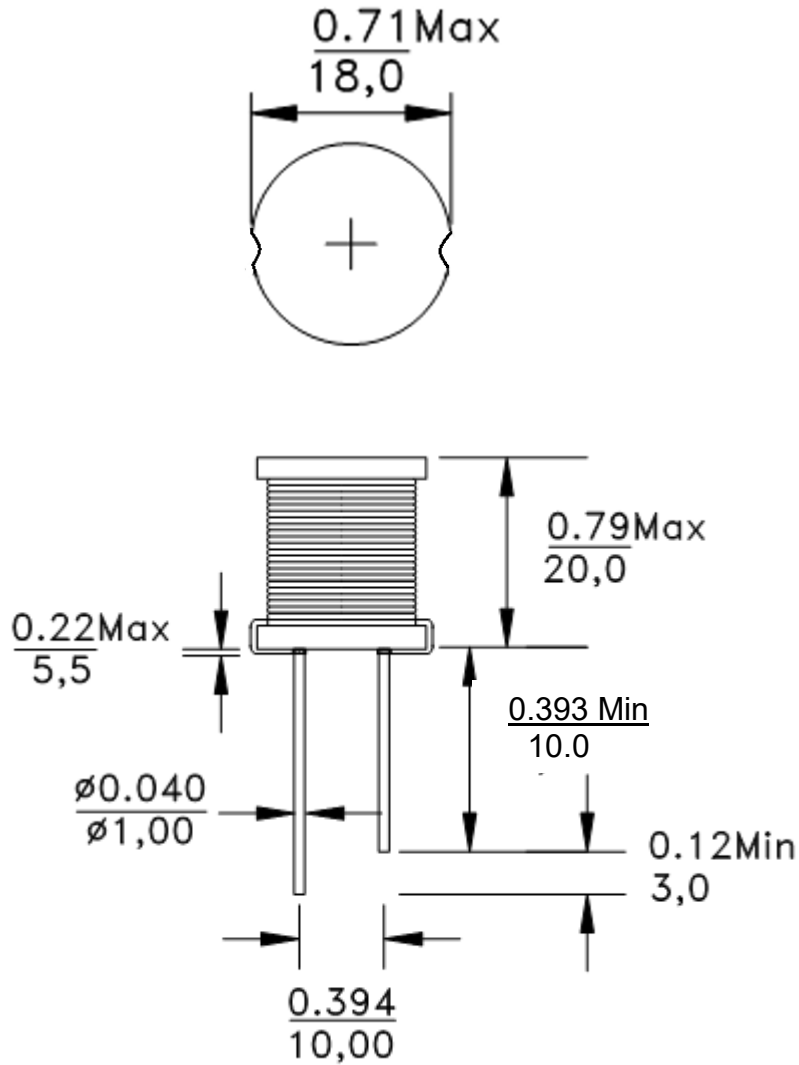
2.0 Mechanical Dimensions



Dimension: inch/mm

After Change:

1.0 Mechanical Dimensions



Dimension: inch/mm

Cause/Reason for Change: Notches have been added to the core due to the utilization of an alternative mold

Change Plan

Effective Date: 5/28/2021	Additional Remarks:
-------------------------------------	----------------------------

Change Declaration: The Change does not affect fit or function of the devices in this series. Notches have been added to the core of the inductors

Issued Date: 5/24/2021	Issued By: Ahmed Alamin	Issued Department: Engineering
----------------------------------	-----------------------------------	--

Approval: Syed Raza Engineering VP	Approval: Reuben Quintanilla Quality Director	Approval: Ying Huang Purchasing Director
---	--	---

For Abracon EOL only

Last Time Buy (if applicable):	Alternate Part Number / Part Series:
---------------------------------------	---

Additional Approval:	Additional Approval:	Additional Approval:
-----------------------------	-----------------------------	-----------------------------

Customer Approval (If Applicable)

Qualification Status:

Approved Not accepted

Note: It is considered approved if there is no feedback from the customer 1 month after ECN/PCN is released.

Customer Part Number:	Customer Project:
------------------------------	--------------------------

Company Name:	Company Representative:	Representative Signature:
----------------------	--------------------------------	----------------------------------

Customer Remarks: