

Qualification of ESD Shipment Carrier for TO 99 Package

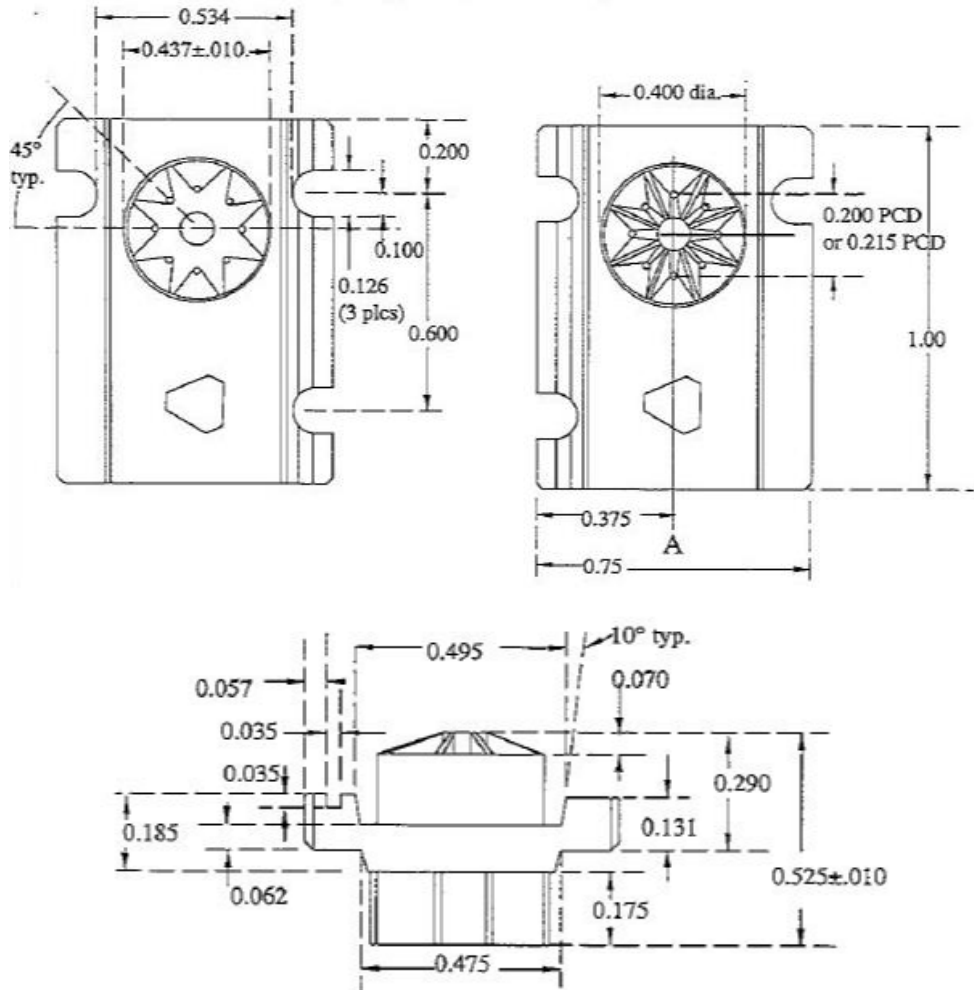
Romer Aranas



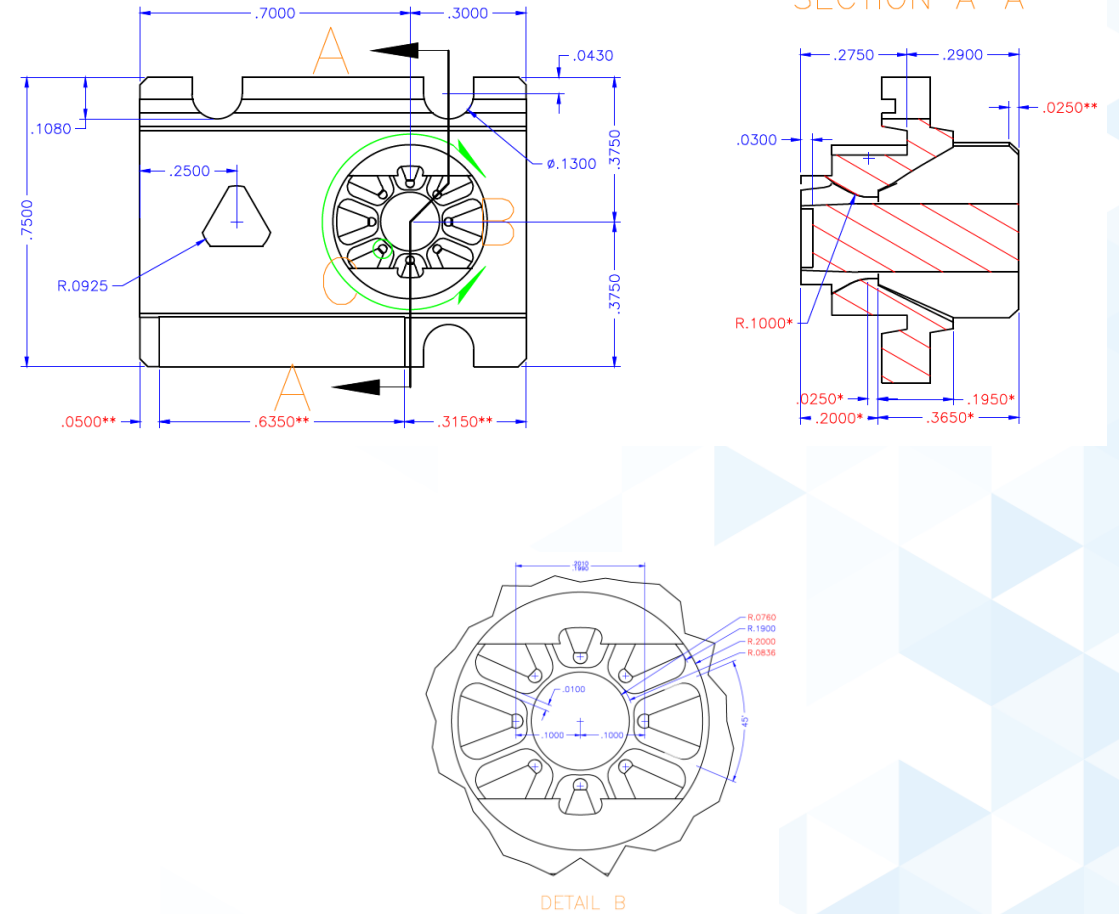
DRAWING

Carrier Design:

Existing



New Design



ESD TEST RESULT

Environmental Condition:

Temperature 23°C ±3c	Relative Humidity 50% ±5%
25.1C	49.3%

Material Property

W/O TRIBO CHARGE

W/ TRIBO CHARGE



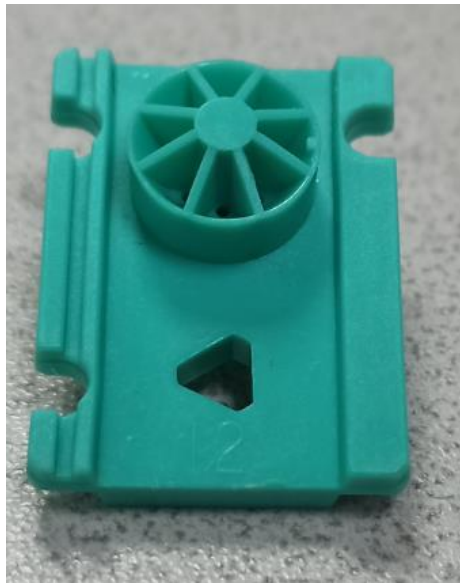
METHOD	ITEM	READING	CRITERIA	RESULT
SURFACE RESISTIVITY MEASUREMENT	PRS801	3.7E06 OHMS	>1.0E04 to <1.0E11 ohms	PASSED
	CVM	WITHOUT TRIBO CHARGE: 28V	<100 V	PASSED
WITH TRIBO CHARGE 35V				
STATIC VOLTAGE READING	TREK 520	WITHOUT TRIBO CHARGE: 3V	<100 V	PASSED
		WITH TRIBO CHARGE 25V		

- ▶ The carrier passed on Surface Resistance and static voltage test at 50% RH.

SUMMARY OF CHANGE

TO-99 Carrier	Material - Color	ESD	Supplier
<i>From</i>	<i>Light Green</i>	<i>Non-compliant</i>	<i>No Existing Supplier</i>
<i>To</i>	<i>Black</i>	<i>Compliant</i>	<i>New Supplier</i>

From:



TO:

