



PRODUCT CHANGE NOTIFICATION

MAGNETICS



Bourns® Model SRR1280A Series Shielded Power Inductors

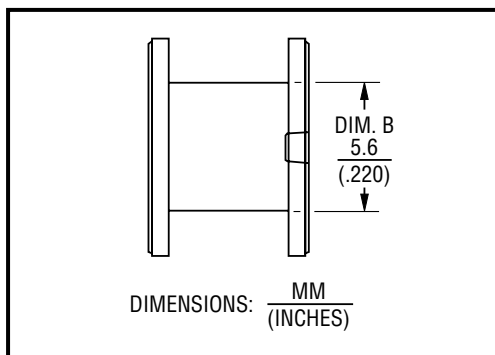
Change to Inductor Core, Shield Design and Material

Riverside, California – August 24, 2021 – Effective March 19, 2022, Bourns will change the inductor core and shield design for the [Model SRR1280A Series Shielded Power Inductors](#). The modified inductor core will have a slightly smaller center pole diameter. The modified shield will have a slightly higher wall and larger center radius. These modifications will allow better core and shield alignment in the assembly to improve the quality and performance of the inductor.

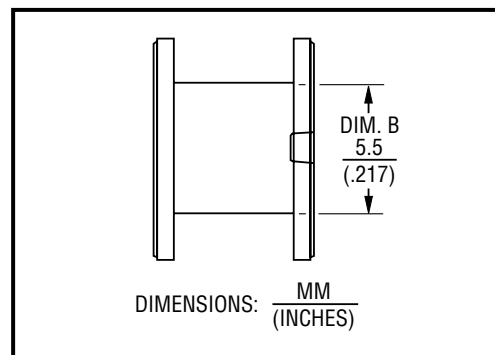
In addition, the core and shield material will be modified to accommodate the dimensional change.

Affected Part Numbers					
SRR1280A-100M	SRR1280A-150M	SRR1280A-270M	SRR1280A-391K	SRR1280A-561K	SRR1280A-8R2Y
SRR1280A-101M	SRR1280A-151K	SRR1280A-271K	SRR1280A-3R9Y	SRR1280A-680M	
SRR1280A-102K	SRR1280A-180M	SRR1280A-2R4Y	SRR1280A-470M	SRR1280A-681K	
SRR1280A-120M	SRR1280A-181K	SRR1280A-330M	SRR1280A-471K	SRR1280A-6R8Y	
SRR1280A-121K	SRR1280A-220M	SRR1280A-331K	SRR1280A-4R7Y	SRR1280A-820M	
SRR1280A-122K	SRR1280A-221K	SRR1280A-390M	SRR1280A-560M	SRR1280A-821K	

Existing Inductor Core Design



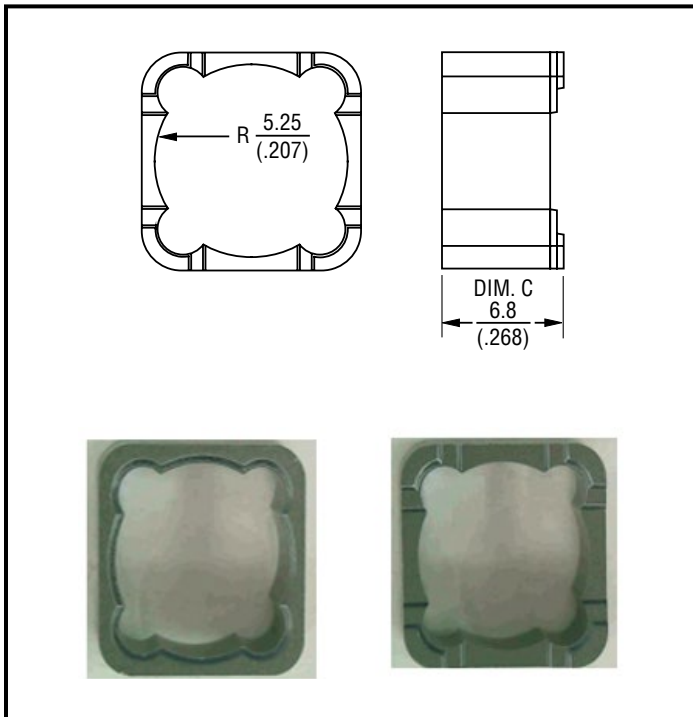
New Inductor Core Design - Smaller B dimension



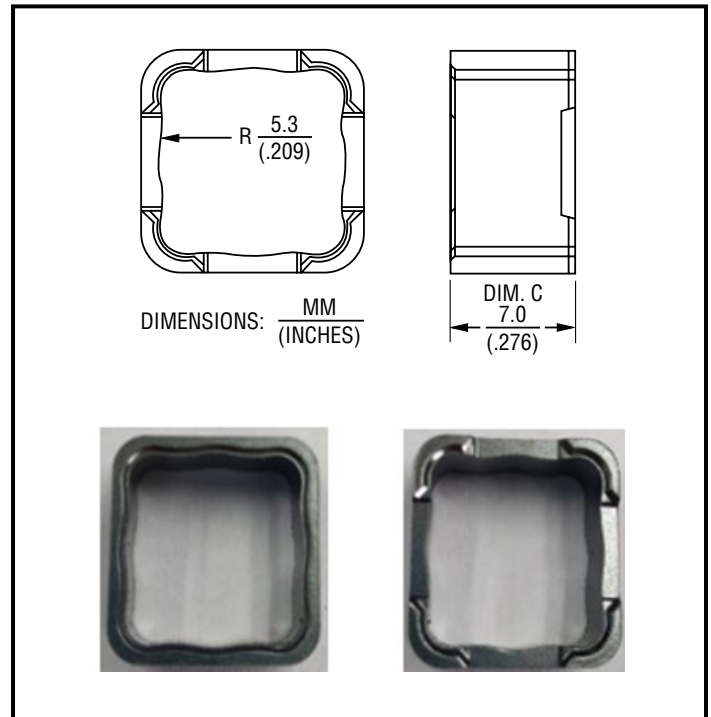
Users should verify that the described changes will not impact the performance of the product in their specific applications.

IC219904

Existing Inductor Shield Design



New Inductor Shield Design - Larger C dimension & R radius



The form of the affected inductors will change. The fit and function will remain the same. The quality and reliability of the component should be improved.

Inductor samples with the new design are available upon request.

Implementation dates are as follows:

Date that products in existing design will cease: **March 19, 2022**

Date that deliveries of products in new design will begin: **March 20, 2022**

First date code using the above changes: **2212**

If you have any questions or need additional information, please feel free to [contact Customer Service/Inside Sales](#).