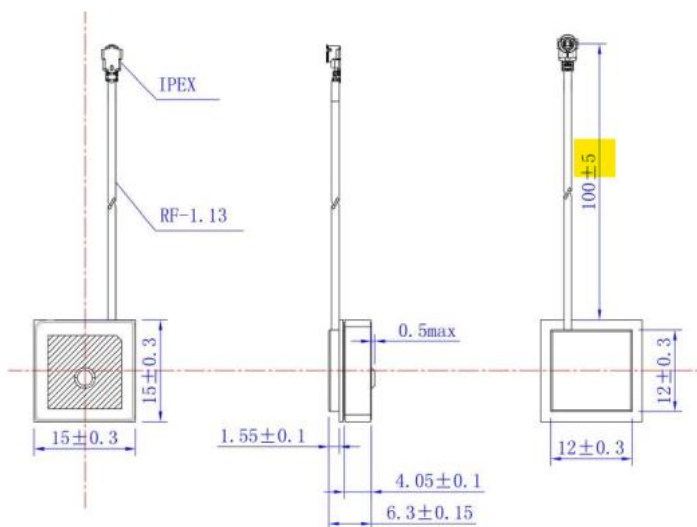


ECN/PCN No.: R0120

For Manufacturer			
Product Description: GPS/GLONASS – Active Patch Antenna	Abracon Part Number / Part Series: APKD1507G2	<input type="checkbox"/> Documentation only	<input type="checkbox"/> Series
		<input checked="" type="checkbox"/> ECN	<input checked="" type="checkbox"/> Part Number
		<input type="checkbox"/> EOL	
Affected Revision: I.R.	New Revision: A	Application:	<input type="checkbox"/> Safety
			<input checked="" type="checkbox"/> Non-Safety

Prior to Change:

Cable length with large tolerance allowing for large variations.

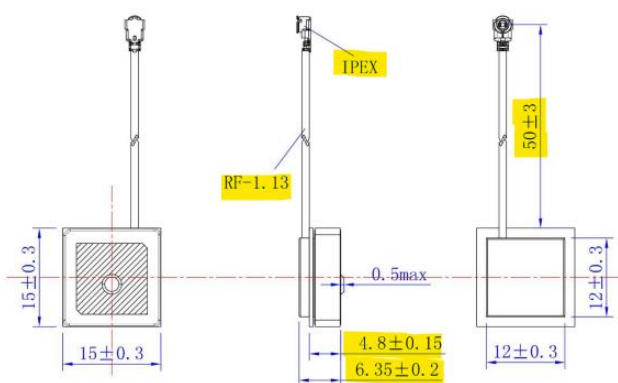


After Change:

A more strictly defined cable length to having the cable extend the correct length from the PCB edge to the connector, as shown in the datasheet (see below), with a stricter tolerance of 3 instead of 5 mm. Please note that this could cause a ~5 mm longer nominal cable length compared to previous orders prior to this change.

Product Dimension

Note: The cable length exemplified below is for the 50 mm option.



Cause/Reason for Change:

Demand for a more strict cable length.

Change Plan		
Effective Date: 2023-01-18	Additional Remarks: N/A	
Change Declaration: Making the cable length more strictly defined. This could impact future orders with around 5 mm longer cable length than before.		
Issued Date: 2023-01-18	Issued By: <i>Jonatan Lindahl</i>	Issued Department: Engineering
Approval: <i>Syed Raza</i> VP	Approval: <i>Reuben Quintanilla</i> Quality Director	Approval: <i>Ying Huang</i> Purchasing Director
For Abracon EOL only		
Last Time Buy (if applicable):	Alternate Part Number / Part Series:	
Additional Approval:	Additional Approval:	Additional Approval:
Customer Approval (If Applicable)		
Qualification Status: <div style="text-align: center;"><input type="checkbox"/> Approved <input type="checkbox"/> Not accepted</div> <i>Note: It is considered approved if there is no feedback from the customer 1 month after ECN/PCN is released.</i>		
Customer Part Number:	Customer Project:	
Company Name:	Company Representative:	Representative Signature:
Customer Remarks:		