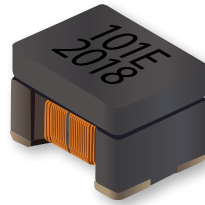




PRODUCT CHANGE NOTIFICATION

MAGNETICS



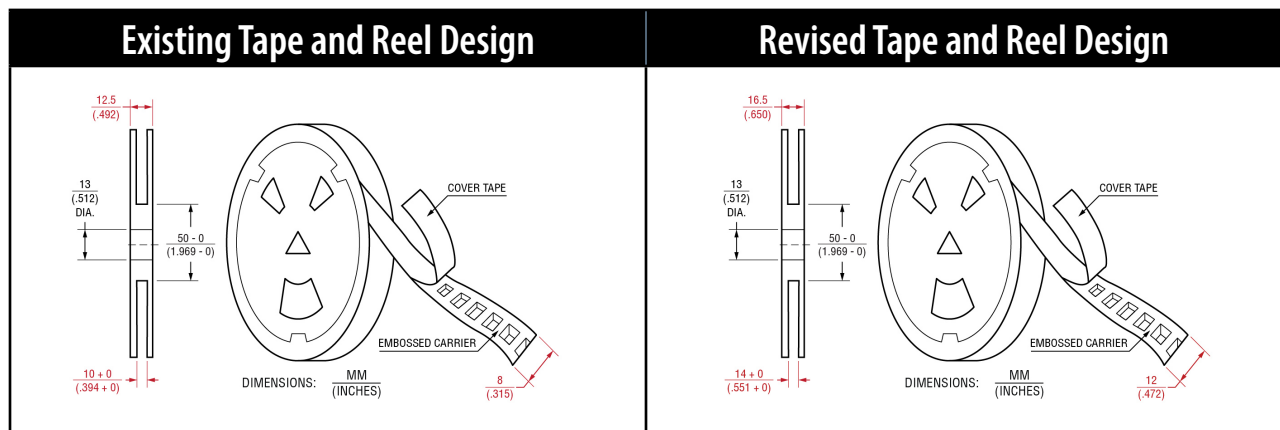
Bourns® Model SRF3225AB Series Common Mode Chip Inductor

Carrier Tape and Reel Design Changes

Riverside, California – April 23, 2024 – As part of our continuous improvement efforts, effective July 15, 2024, Bourns will change the design of the carrier tape and reel for the [Model SRF3225AB Series Common Mode Chip Inductor](#). The width of the carrier tape and reel has been increased. The affected part number is listed below.

Affected Part Number

[SRF3225AB-101Y](#)



The form, fit, and function of the inductors will not change as a result of the changes to the carrier tape and reel. The quality and reliability of the inductors should be improved with the above changes. Traceability will be maintained through lot code and date code.

Samples built with the above change are available on request. Bourns recommends that customers test the affected part numbers in their specific applications for verification of satisfactory performance.

Implementation dates are as follows:

Date that manufacturing of the existing carrier tape and reel will cease: **July 14, 2024**

Date that deliveries of modified carrier tape will begin: **July 15, 2024**

First date code using the above changes: **2429**

If you have any questions or need additional information, please feel free to [contact Customer Service/Inside Sales](#).

Users should verify that the described changes will not impact the performance of the product in their specific applications.

IC24059