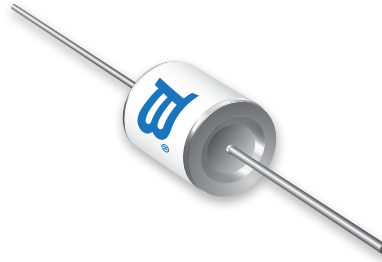




PRODUCT CHANGE NOTIFICATION

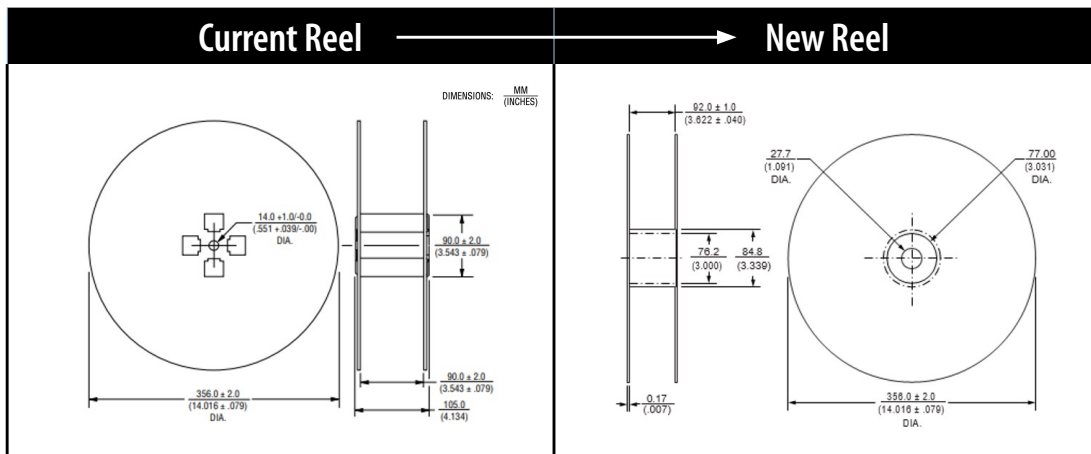
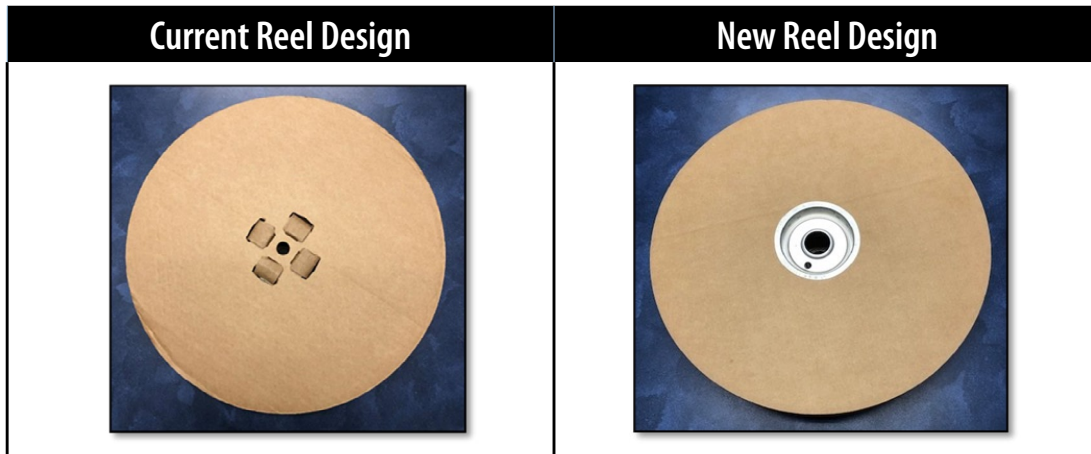
GAS DISCHARGE TUBES



Bourns® Model SA2 Gas Discharge Tube Series

Changes to Reel Hub Packaging

Riverside, California – June 6, 2023 – In the spirit of continuous improvement, effective August 15, 2023, the reels used to pack select Bourns® [Model SA2 Series Gas Discharge Tubes](#) in their axial leaded tape and reel packing configuration will change to a plastic or metallic (optional) hub. This change will minimize the friction between the support shaft and the reel in automatic lines, decreasing the tension in the tape and thereby optimizing performance. This change will also reinforce the reel structure.



Users should verify that the described changes will not impact the performance of the product in their specific applications.

GDT2326

Affected Part Numbers				
SA2-0350-ALT	SA2-3000-DLT-STD	SA2-3600-DLT-STD	SA2-5900-DLB-STD	SA2-7200-CLB-STD
SA2-1400-CLB-STD	SA2-3100-SBB-HS	SA2-4000-CLB-STD	SA2-6000-CLB-STD	SA2-7200-CLT-STD
SA2-1400-CLT-STD	SA2-3100-SBB-Y08	SA2-4000-DLB-STD	SA2-6000-DLB-STD	SA2-7200-DBB-STD
SA2-2400-CBB-STD	SA2-3100-SLB-HS	SA2-4500-CLB-STD	SA2-6000-DLT-STD	SA2-7200-DLB-STD
SA2-2400-CKB-STD	SA2-3100-SLB-Y08	SA2-4500-CLT-STD	SA2-6200-CBB-STD	SA2-7200-DLT-STD
SA2-2400-CLB-STD	SA2-3100-SLT-HS	SA2-5500-BKB	SA2-6200-CLB-STD	SA2-BK
SA2-2400-CLT-STD	SA2-3100-SLT-Y08	SA2-5500-BLT	SA2-6200-CLT-STD	SA2-CBB
SA2-2400-DLB-STD	SA2-3600-CBB-STD	SA2-5500-CBB-STD	SA2-6200-DBB-STD	SA2-CK1B
SA2-2400-DLT-STD	SA2-3600-CK1B-STD	SA2-5500-CKB-STD	SA2-6200-DKB-STD	SA2-CKB
SA2-3000-BLT	SA2-3600-CK1T-STD	SA2-5500-CLB-STD	SA2-6200-DLB-STD	SA2-CLB
SA2-3000-CBB-S01	SA2-3600-CKB-STD	SA2-5500-CLT-STD	SA2-6200-DLT-STD	SA2-CLT
SA2-3000-CBB-STD	SA2-3600-CLB-STD	SA2-5500-DBB-STD	SA2-6300-CLB-STD	SA2-DBB
SA2-3000-CLB-STD	SA2-3600-CLT-STD	SA2-5500-DKB-STD	SA2-6300-CLT-STD	SA2-DKB
SA2-3000-CLT-STD	SA2-3600-DBB-STD	SA2-5500-DLB-STD	SA2-6300-DLB-STD	SA2-DLB
SA2-3000-DBB-STD	SA2-3600-DKB-STD	SA2-5500-DLT-STD	SA2-6300-DLT-STD	SA2-DLT
SA2-3000-DLB-STD	SA2-3600-DLB-STD	SA2-5900-CLB-STD	SA2-7200-CBB-STD	SA2-L

This change in the reel's hub will have no effect on the form, fit, function, quality, or reliability of the products themselves. A list of affected part numbers is provided below.

Implementation dates are follows:

Effective date: **August 15, 2023**

First date code: **3323**

Finished goods stock prior to the change will continue to be shipped until depleted.

If you have any questions or need additional information, please feel free to [contact Customer Service/Inside Sales](#).