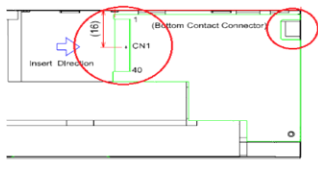

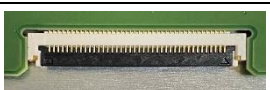


Date : 2024.09.05

Dear Sirs & Madams,

Please be informed that the following technical changes will be implemented to the products you are currently purchasing.

## 1. Contents of Change

Item		Current	New
	CN1	JAE (P/N: FA5B040HP1R3000) 	STARCONN (P/N: 089N40-000S00-G2-R) 
	Internal use connector for touch panel	(P/N: FA5B008HP1R3000)	(P/N: 089N08-000S00-G2-R)

## 2. Product

Part Name	Revision		Implement schedule (*)
	Current	New	
TX16D20VM5BAA		C	2024/Q4
TX16D20VM5BPA		B	
TX16D20VM5BQA		B	

(\*) Implementation schedule is estimated. The actual cut-in lot may be changed with the varied demand and the consumption of current connector. Exact introduction will be provided in the future product notice.

## 3. Reason of Change

Connector (CN1) and Internal use connector for touch panel are discontinued, the alternative ones are sourced and qualified to ensure the continuity of our product supply.

## 4. Impact on Product Specification

Except above changes, the other product specification on CAS remains unchanged.

In case of further questions, please contact your sales representative. Thank you.

Proposed by:   
 Alex Lee / Senior Manager  
 Electrical Design Section  
 Engineering Development Dept.