

## 1 Products affected

| Product hierarchy no. * |     |     |            | Part no.     | SBU        | Type / Description                 | Customer part no. |
|-------------------------|-----|-----|------------|--------------|------------|------------------------------------|-------------------|
| SBU                     | PG  | PGU | Type       |              |            |                                    |                   |
| 01                      | 001 | 025 | 0000000221 | 3413.0008.11 | Protection | USFF 1206 – 0.16 A – 100 pieces    |                   |
| 01                      | 001 | 025 | 0000000221 | 3413.0008.22 | Protection | USFF 1206 – 0.16 A – 1'000 pieces  |                   |
| 01                      | 001 | 025 | 0000000221 | 3413.0008.24 | Protection | USFF 1206 – 0.16 A – 5'000 pieces  |                   |
| 01                      | 001 | 025 | 0000000221 | 3413.0008.26 | Protection | USFF 1206 – 0.16 A – 10'000 pieces |                   |
| 01                      | 001 | 025 | 0000000221 | 3413.0009.11 | Protection | USFF 1206 – 0.20 A – 100 pieces    |                   |
| 01                      | 001 | 025 | 0000000221 | 3413.0009.22 | Protection | USFF 1206 – 0.20 A – 1'000 pieces  |                   |
| 01                      | 001 | 025 | 0000000221 | 3413.0009.24 | Protection | USFF 1206 – 0.20 A – 5'000 pieces  |                   |
| 01                      | 001 | 025 | 0000000221 | 3413.0009.26 | Protection | USFF 1206 – 0.20 A – 10'000 pieces |                   |
| 01                      | 001 | 025 | 0000000221 | 3413.0010.11 | Protection | USFF 1206 – 0.25 A – 100 pieces    |                   |
| 01                      | 001 | 025 | 0000000221 | 3413.0010.22 | Protection | USFF 1206 – 0.25 A – 1'000 pieces  |                   |
| 01                      | 001 | 025 | 0000000221 | 3413.0010.24 | Protection | USFF 1206 – 0.25 A – 5'000 pieces  |                   |
| 01                      | 001 | 025 | 0000000221 | 3413.0010.26 | Protection | USFF 1206 – 0.25 A – 10'000 pieces |                   |

\*SBU (2-digit) / PG (3-digit) / PGU (3-digit) / Type (10-digit)

## 2 Type of changes

### 2.1 Marking

- ∅ New label with only one letter instead of a three-digit numeric coding.

### 2.2 Reel Diameter

- ∅ Changing the diameter of the blister tape reel. The new blister reel with the number 3413.00XX.24 has Ø25.4 cm.

### 2.3 Packaging unit



- ∅ The blister tape reel with the number 3413.00XX.26 has new 10'000 pieces.

| USFF 1206     |            |              |             |                  | 0118.2121 |        |
|---------------|------------|--------------|-------------|------------------|-----------|--------|
| creation date | created by | release date | released by | notification no. | revision  | page   |
| 2012-08-24    | tel        | 2012-09-20   | tel         | 23848            |           | 1 of 4 |

### 3 Detailed description of changes

#### 3.1 Marking

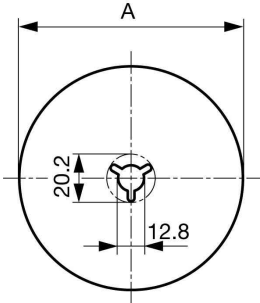
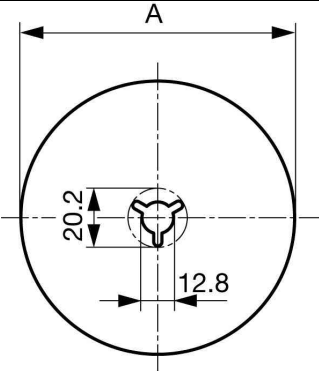
##### 3.1.1 Graphic

| old marking   | new marking   |
|---|---|
|  |  |
| Example:<br>USFF 1206 with large letter "0.16" = 0.160 A                          | Example:<br>USFF 1206 with small letter "s" = 0.160 A                               |

##### 3.1.2 Overview of the new marking

| In [ A ] | old marking | new marking |
|----------|-------------|-------------|
| 0.050    | 0.05        | e           |
| 0.160    | 0.16        | s           |
| 0.200    | C           | u           |
| 0.250    | D           | w           |

#### 3.2 Reel Diameter

| old   | new   |
|---|---|
|  |  |
| 3413.00XX.24 = A = <b>Ø18 cm</b> (5'000 pieces)                                     | 3413.00XX.24 = A = <b>Ø25.4 cm</b> (5'000 pieces)                                     |

| USFF 1206     |            |              |             |                  | 0118.2121 |        |
|---------------|------------|--------------|-------------|------------------|-----------|--------|
| creation date | created by | release date | released by | notification no. | revision  | page   |
| 2012-08-24    | tel        | 2012-09-20   | tel         | 23848            |           | 2 of 4 |

### 3.3 Packaging unit

| old  | new  |
|--|--|
| 3413.00XX.26 à <b>15'000 pieces</b> – Ø33 cm | 3413.00XX.26 à <b>10'000 pieces</b> – Ø33 cm |

## 4 Reason of changes

### 4.1 Marking

∅ There is not enough space for more than one character on the surface.

### 4.2 Reel Diameter

∅ The diameter of 18 cm was too small for 5'000 pieces.

### 4.3 Packaging unit

∅ A 15'000 pieces was too much fuses for the reel diameter 33 cm.

## 5 Released dates

### 5.1 Marking

∅ As of November 2012

### 5.2 Reel Diameter

∅ As of October 2012

### 5.3 Packaging unit

∅ As of October 2012

| USFF 1206     |            |              |             |                  | 0118.2121 |        |
|---------------|------------|--------------|-------------|------------------|-----------|--------|
| creation date | created by | release date | released by | notification no. | revision  | page   |
| 2012-08-24    | tel        | 2012-09-20   | tel         | 23848            | —         | 3 of 4 |

## 6 Impact of change and recommended action

### 6.1 Marking

Form: No  
Fit: No  
Function: No  
Production Site: No  
Product Label: Yes

### 6.2 Reel Diameter

Form: Packaging size  
Fit: No  
Function: No  
Production Site: No  
Product Label: No

### 6.3 Packaging unit

Form: Packaging unit  
Fit: No  
Function: No  
Production Site: No  
Product Label: No

## 7 Reference Documents / Attachments

| Kind of document     | Document number | Remarks      |
|----------------------|-----------------|--------------|
| Blister reel drawing | 0950.0581       | for Ø 254 mm |

| USFF 1206     |            |              |             |                  | 0118.2121 |        |
|---------------|------------|--------------|-------------|------------------|-----------|--------|
| creation date | created by | release date | released by | notification no. | revision  | page   |
| 2012-08-24    | tel        | 2012-09-20   | tel         | 23848            |           | 4 of 4 |