

1 Products affected

Product hierarchy no. *			Part no.	SBU	Type / Description	Customer part no.	
SBU PG	PGU	Type					
01	002	052	0000000559	0031.7701.23	Circuit Protection	OMH 125	n/a
	001	024	0000000063	See list below		OMK 125	n/a
		024	0000000081	See list below		OMZ 125	n/a
		024	0000000061	See list below		OMK 63	n/a

*SBU (2-digit) / PG (3-digit) / PGU (3-digit) / Type (10-digit)

List of part numbers affected

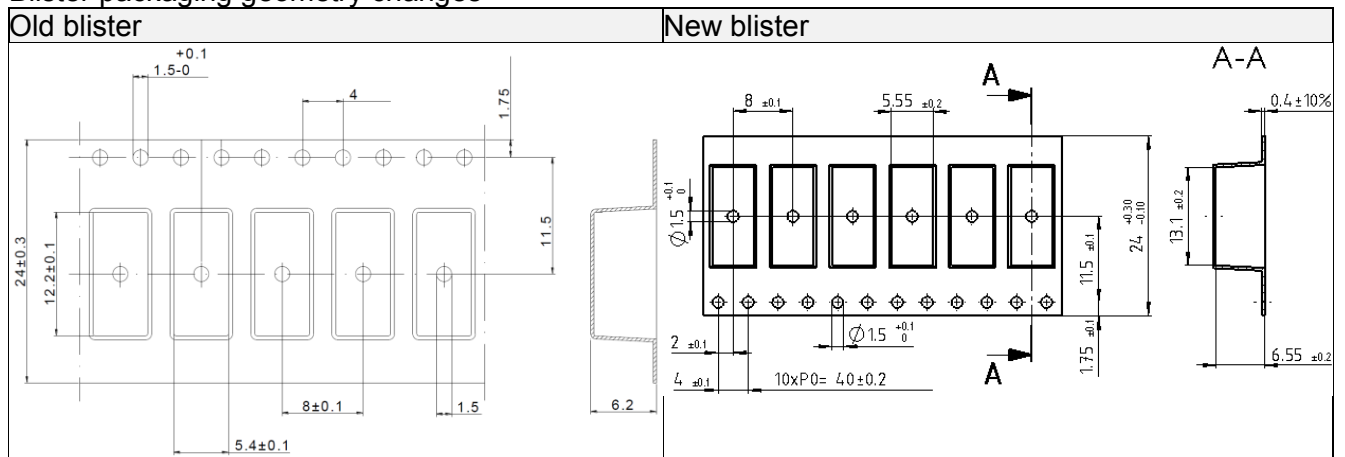
For detailed part numbers, please see attached table (Section 7 - Reference Documents / Attachments)

2 Type of change

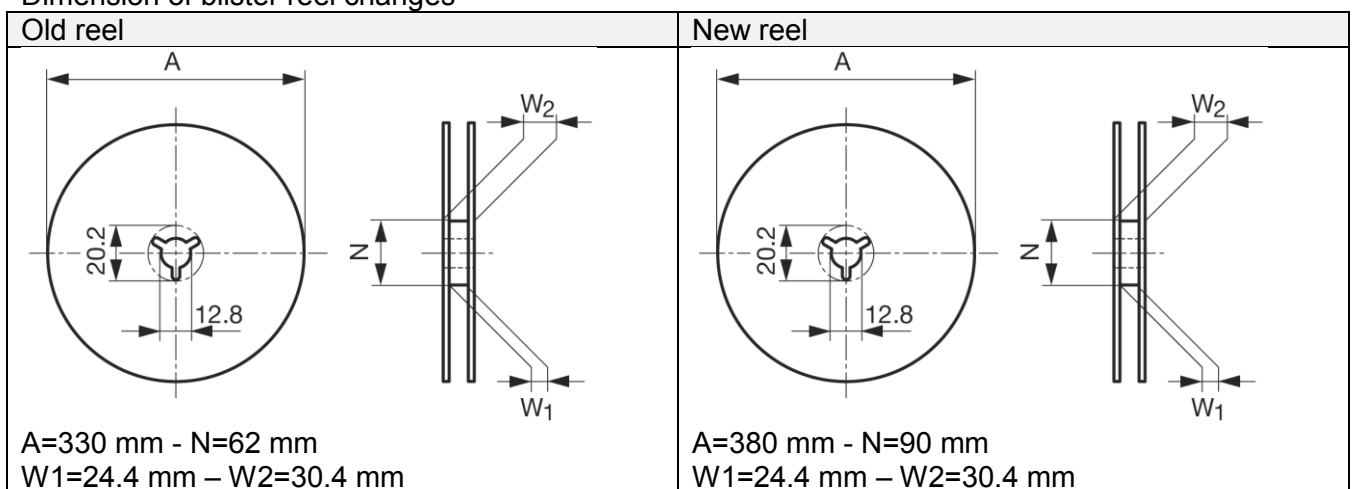
Packaging has been improved: A thicker and more stable blister packaging on a reel with enhanced diameter to avoid damages caused by deformation.

3 Detailed description of change

Blister packaging geometry changes



Dimension of blister reel changes



4 Reason of change

A thicker plastic material guarantees better stability of the cavities and increased process safety during the picking process. To prevent a deformation of the cavities, the reel diameter is increased.

OMH, OMK, OMZ					0118.2229	
creation date	created by	release date	released by	notification no.	revision	page
2014-07-28	dislercy	2014-09-01	dislercy			1 of 2

5 Release date

The change comes into effect at ww46/2014 (Datecode 1446 or higher on label)

6 Impact of change and recommended action

Form: No (packaging dimension only)
Fit: No
Function: No
Production Site: No
Product Label: No

7 Reference Documents / Attachments

Kind of document	Document number	Remarks
Excel list with affected part no.	0118.2229.001	0118.2229.001.xls
Datasheet OMH 125		Web link OMH 125
Datasheet OMK 63		Web link OMK 63
Datasheet OMK 125		Web link OMK 125
Datasheet OMZ 125		Web link OMZ 125

OMH, OMK, OMZ					0118.2229	
creation date	created by	release date	released by	notification no.	revision	page
2014-07-28	dislercy	2014-09-01	dislercy		-	2 of 2