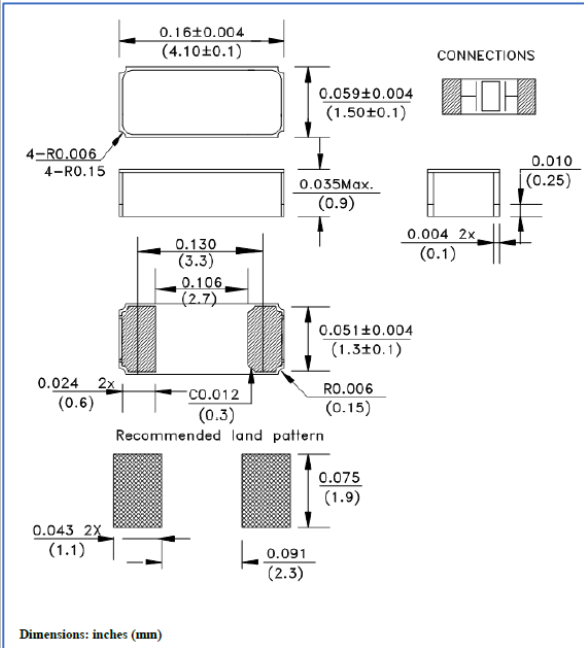


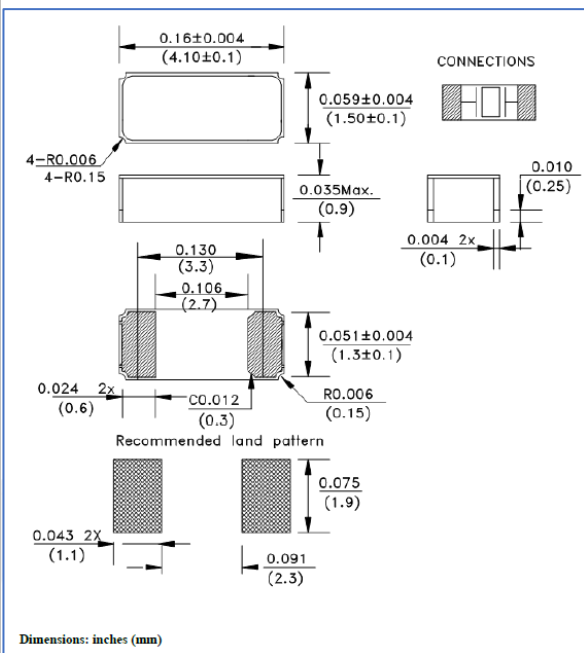
ECN/PCN No.: 4548

For Manufacturer			
Product Description: 32.768KHZ SMD LOW PROFILE CRYSTAL		Abracon Part Number / Part Series: ABS09	
Affected Revision: J		New Revision: K	
		<input type="checkbox"/> Documentation only <input checked="" type="checkbox"/> ECN <input type="checkbox"/> EOL	<input checked="" type="checkbox"/> Series <input type="checkbox"/> Part Number
		Application:	<input type="checkbox"/> Safety <input checked="" type="checkbox"/> Non-Safety

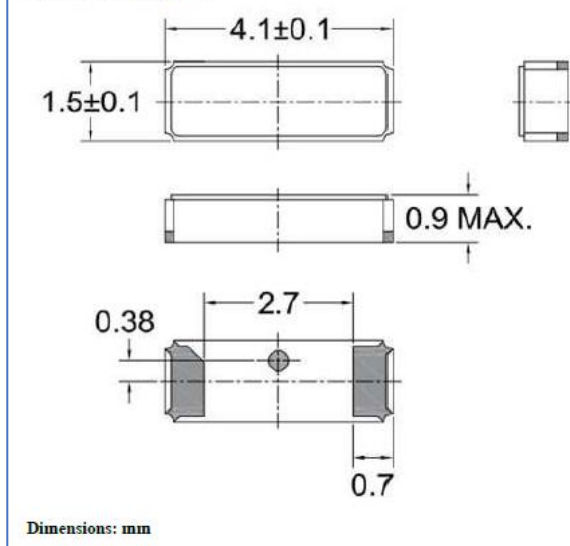
Prior to Change:
Mechanical dimensions



After Change:
Mechanical dimensions



Alternative Packaging 1:



Cause/Reason for Change: Abracon introduced additional manufacturing sources to ensure product availability and to be in a better position to meet long term customer demand. Added an alternative bottom packaging structure to reflect the product produced by all manufacturing sources.		
Change Plan		
Effective Date: 02/10/2023	Additional Remarks: N/A	
Change Declaration: The added bottom packaging structure does not impact the electrical performance of the device.		
Issued Date: 02/10/2023	Issued By: <i>Brooke Cushman</i> Product Engineer	Issued Department: Engineering
Approval: <i>Thomas Culhane</i> Engineering Director	Approval: <i>Reuben Quintanilla</i> Quality Director	Approval: <i>Ying Huang</i> Purchasing Director
For Abracon EOL only		
Last Time Buy (if applicable): N/A	Alternate Part Number / Part Series: N/A	
Additional Approval: N/A	Additional Approval: N/A	Additional Approval: N/A
Customer Approval (If Applicable)		
Qualification Status: <input type="checkbox"/> Approved <input type="checkbox"/> Not accepted <i>Note: It is considered approved if there is no feedback from the customer 1 month after ECN/PCN is released.</i>		
Customer Part Number:	Customer Project:	
Company Name:	Company Representative:	Representative Signature:
Customer Remarks:		