

Reel & Packaging Change for CLMVB-DKA, CLMVB-FKA & CLMVC-FKA LEDs

PCN-CM082

Announcement Date: April 21, 2016

Implementation Date: Immediately

This notification applies to the following Cree order code series:

CLMVB-DKA-Cxxxxxxxx

CLMVB-FKA-Cxxxxxxxx

CLMVC-FKA-Cxxxxxxxx

No customer action is required.

CHANGE DESCRIPTION

Cree will begin shipment of CLMVB-DKA, CLMVB-FKA and CLMVC-FKA SMD LEDs on a larger size reel, with an increased number of units per reel, and in larger shipment boxes. The new maximum reel quantities are shown in Table 1. The new reel dimensions are shown in mm in Figure 1.

Table 1: Maximum reel quantities

LED	Previous Maximum Quantity Per Reel	New Maximum Quantity Per Reel
CLMVB-DKA	3,500	12,800
CLMVB-FKA	3,500	12,800
CLMVC-FKA	3,500	12,800

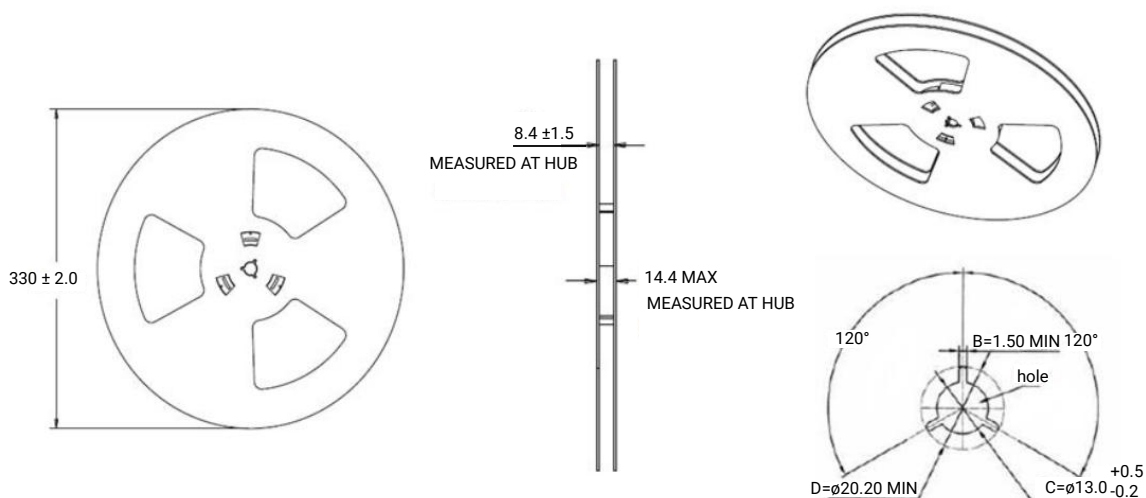


Figure 1: New reel and cover tape dimensions

The cover tape within the reel also has changed. The new cover tape dimensions are shown in mm in Figure 2. The carrier tape dimensions have not changed. The previous and new cover tape are similar in appearance as shown in Figure 3.

PACKAGING

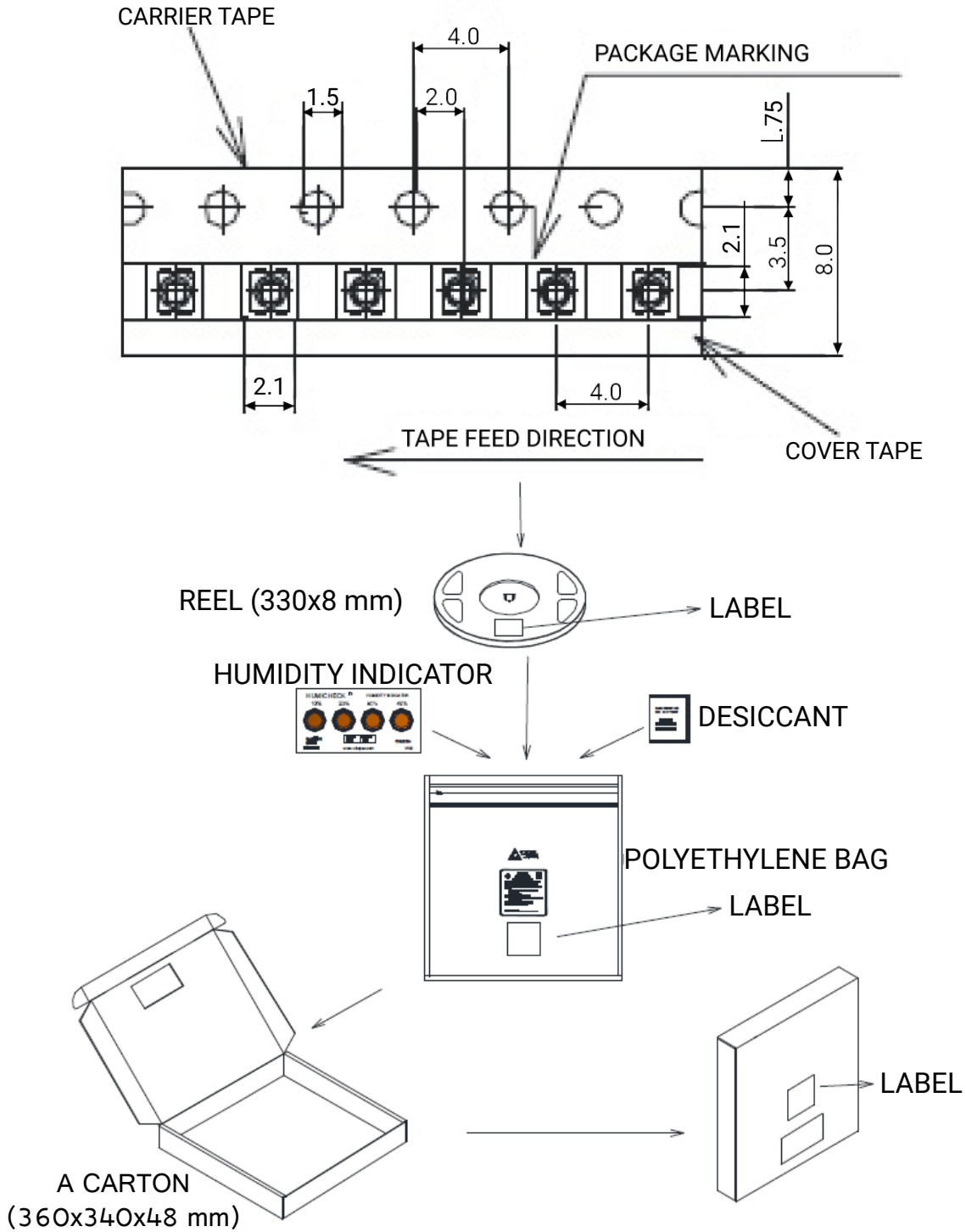


Figure 2: New packaging

Current Appearance



New Appearance

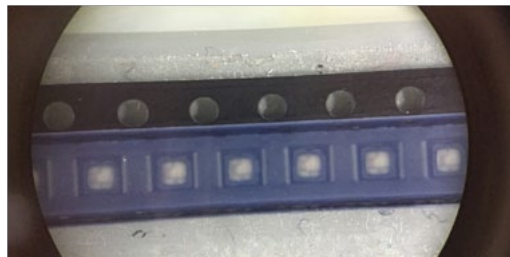


Figure 3: Cover tape appearance

IMPACT OF CHANGE

Effective immediately, customers may begin receiving shipments with the new reel size, new cardboard boxes and new cover tape. Customers may receive both new and previous reel sizes in the same shipment until Cree’s inventory of LEDs on the previous reels is depleted.

No customer action is required.