

Attn.: _____

HIROSE ELECTRIC CO., LTD.

5-23, OSAKI 5-CHOME, SHINAGAWA-KU, TOKYO, JAPAN

**Notice of Form Change of MDF76-30P-1C and
Request for Your Acknowledgement**

Hirose would like to take this opportunity to thank you sincerely for your support, and we hope this letter finds you well and prosperous.

We are writing today to inform you that we will make changes in the above product for the reason described below. We request that you kindly offer your consent to this matter.

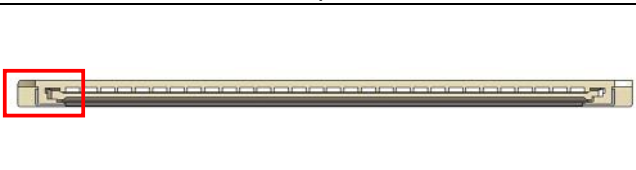
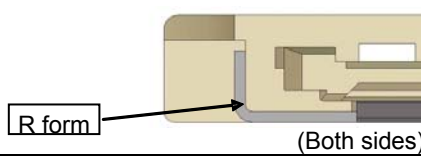

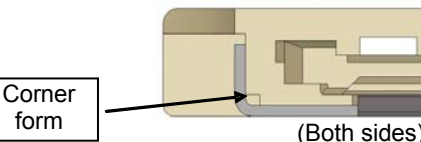
1. Products Affected

MDF76-30P-1C (CL Code: 547-0918-1-00)

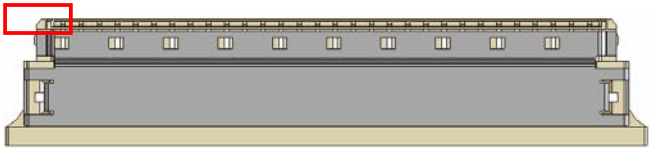
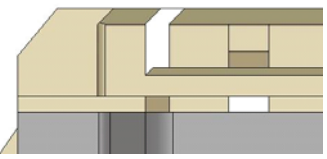

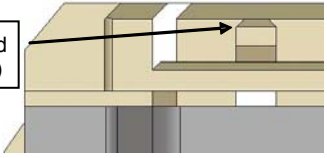
2. Details of the Change

Form changes (1) and (2) will result in slight changes in the product appearance, whereas form change (3) will result in no change in the appearance of the product at the time of delivery and after crimp terminal insertion.

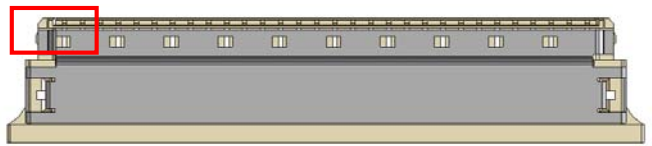
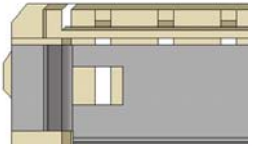
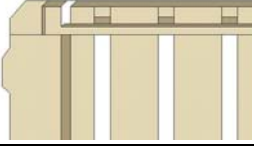
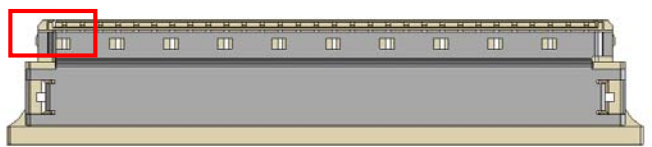

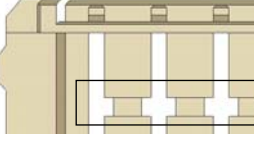
■ Form change (1) R form ⇒ Corner form

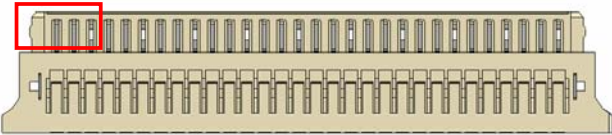
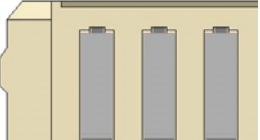
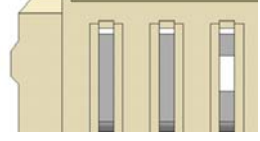
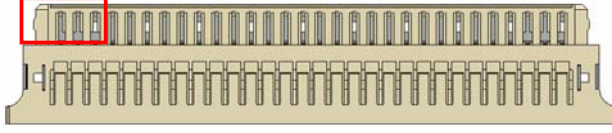
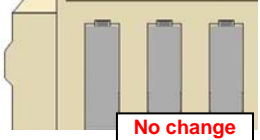
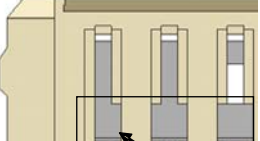
	Entire product	Enlargement
Current form		
New form		

■ Form change (2) Side C addition

	Entire product	Enlargement
Current form		
New form		<p>Side C added (three sides)</p> 

■ Form change (3)

	Entire product (Shell side)	Enlargement (Shell side)
Current form		<p>At the time of delivery (shell attached)</p>  
New form		<p>At the time of delivery (shell attached)</p>  <p>No change</p>  <p>Form change</p>

	Entire product (Lance side)	Enlargement (Lance side)
Current form		<div data-bbox="1023 192 1198 248">After terminal insertion</div>  <div data-bbox="1023 349 1198 405">Before terminal insertion</div> 
New form		<div data-bbox="1023 521 1198 577">After terminal insertion</div>  <div data-bbox="1337 633 1458 660">No change</div> <div data-bbox="1023 678 1198 734">Before terminal insertion</div>  <div data-bbox="1326 846 1474 873">Form change</div>

3. Reasons for the Change

We will change the form to enhance production stability by creating a new mold.

4. Differences Resulting from the Change

The changes will be made in areas causing no electric or mechanical impact, therefore, there will be no differences in performance.

5. Timing of Change Implementation

We will start delivering the new products from September 2014.

Please note that old and new products may be mixed during the transition period (approximately 3 months). We will appreciate your understanding.

6. Confirmation of Your Acknowledgement

We kindly request that you let a Hirose account representative know you acknowledge this matter by August 18, 2014.

In the absence of a response by this date, please be advised that you will be delivered the new products with the changes described above. If you should have any questions, please feel free to contact a Hirose account representative.

Acknowledgment

(Customer → Hirose Electric business representative)

**Notice of Form Change of MDF76-30P-1C and
Request for Your Acknowledgement**

We acknowledge the aforementioned matter.

●Customer's name: _____

●Acknowledgment stamp (or signature): _____

HIROSE ELECTRIC CO., LTD.

(Cut on this line)

Document Receipt

(Hirose Electric business representative → Customer)

**Notice of Form Change of MDF76-30P-1C and
Request for Your Acknowledgement**

We have received the aforementioned document.

●Customer's name: _____

●Acknowledgment stamp (or signature): _____

HIROSE ELECTRIC CO., LTD.