

Please make entry of a summary of Modification Notice.

[Target Products]

D3M Series
< Refer to the " [Details of applicable model] " . >

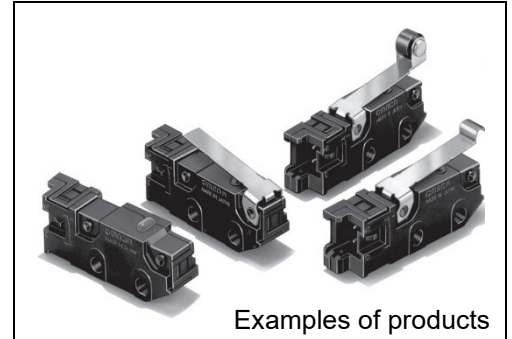
[Effective Date]

Effective as of our production in December, 2023.


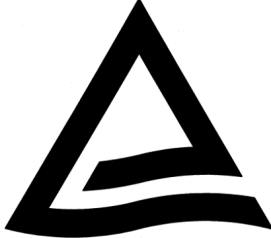
[Reason for change]

To comply with standards and regulations

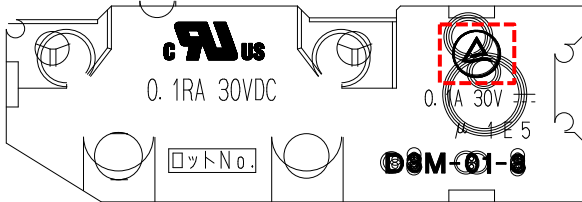
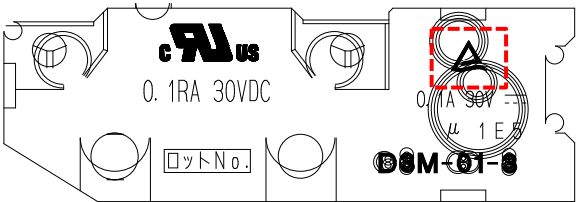
[Changes]



TÜV mark

Before the change	After the change
<p>■ Safety Standard certificated mark Old TÜV mark</p> 	<p>■ Safety Standard certificated mark New TÜV mark</p> 

Mark change [Example: D3M-01-3]

Before the change	After the change
<p>■ Marking content change Old TÜV mark</p> 	<p>■ Marking content change New TÜV mark</p> 

[Details of applicable model]

Models / Specification
D3M-01
D3M-01-3
D3M-01-3-5
D3M-01K1
D3M-01K1-3
D3M-01K2
D3M-01K2-3
D3M-01K2-3(V)
D3M-01K3
D3M-01K3-3

Models / Specification
D3M-01L1
D3M-01L1-3
D3M-01L1-3-E
D3M-01L14-3
D3M-01L2
D3M-01L2-3
D3M-01L3
D3M-01L3-3
D3M-01L3-5

Specifications in this product news are as of the issue date and are subject to change without notice.
 Only main changes in specifications are described in this document. Please be sure to read the relevant catalogs, datasheets, product specifications, instructions, and manuals for precautions and necessary information when using products.