

1 Products affected

Product hierarchy no. *				Part no.	SBU	Type / Description	Customer part no.
SBU	PG	PUG	Type				
02	007	013	4797	See list below	Appliance Outlet 16A	4797 Appliance Outlet 16A	n/a

*SBU (2-digit) / PG (3-digit) / PUG (3-digit) / Type (10-digit)

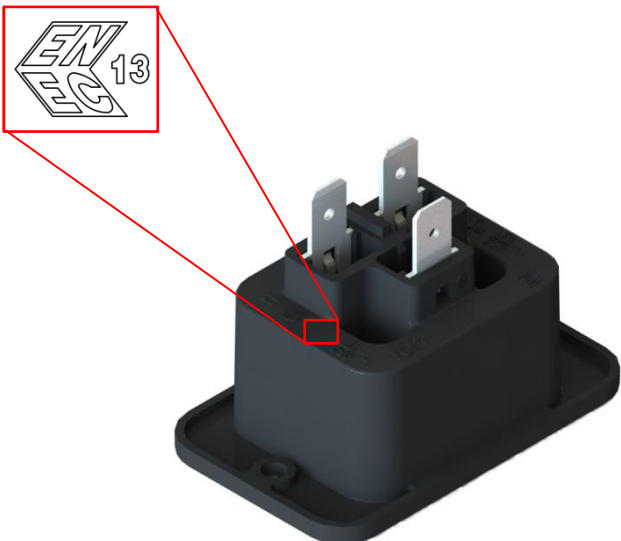
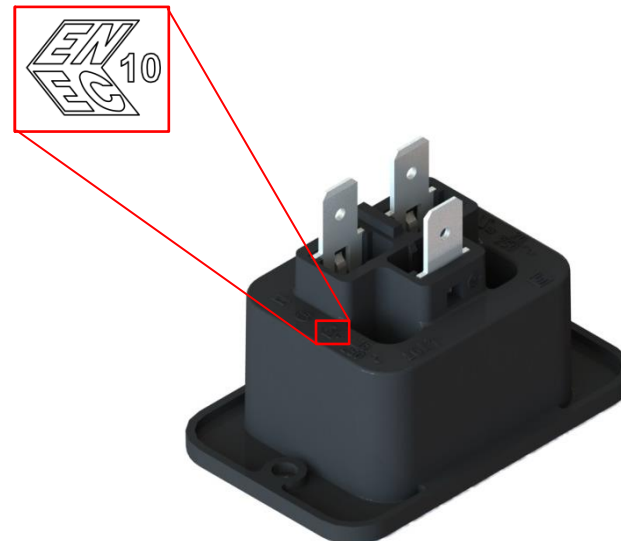
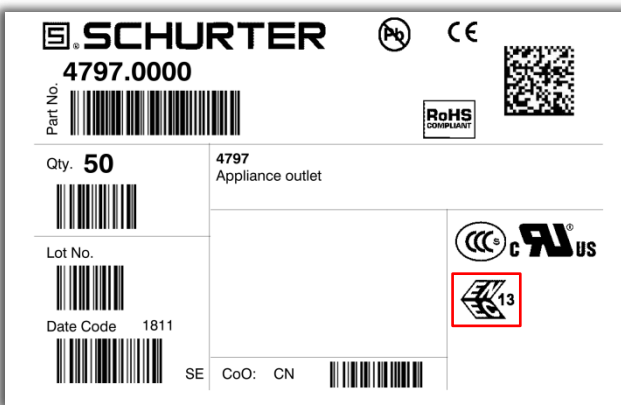
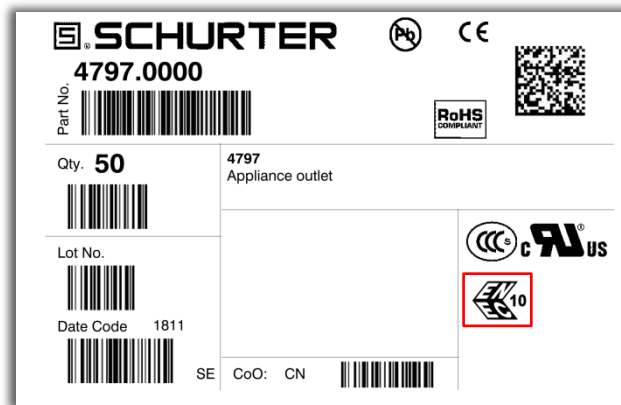
List of part numbers affected				
4797.0000	4797.0025	4797.0120	4797.3015	4797.3112
4797.0010	4797.0030	4797.0125	4797.3020	4797.3115
4797.0012	4797.0100	4797.0130	4797.3025	4797.3120
4797.0012.02	4797.0110	4797.3000	4797.3030	4797.3125
4797.0015	4797.0112	4797.3010	4797.3100	4797.3130
4797.0020	4797.0115	4797.3012	4797.3110	

2 Type of change

- Change of approval
- Change of marking
- Change of label

3 Detailed description of change

The european approval Institute has changed from SEV to VDE. As consequence the approval sign will be changed from ENEC13 to ENEC10 on the Appliance Outlets 4797 and on the label.

Old product appearance	New product appearance
	
Old label	New label
	

Product Change Notification					PCN 4797 Approval Marking		
owner	creation date	release date	released by	change order no	rev	page	D10-023-983
vetersa	07.03.2018	27.03.2018	limachcl	2014860	A	1 of 2	

Old product approval ENEC13 (SEV)	New product approval ENEC10 (VDE)
--------------------------------------	--------------------------------------

4 Reason of change

- Harmonisation of approval institutes at SCHURTER.

5 Release date

The change will be rolled-out starting ww 19/2018 (Date code 1819 or higher on label) and lasts approx. 4 months depending on the variant. Products with ENEC13 approval sign still have a valid approval certificate and can be sold and used.

6 Impact of change and recommended action

Form	Yes	Approval sign: ENEC10 instead of ENEC13
Fit	No	No change for dimension
Function	No	No change in function
Manufacturing	No	No change for manufacturing site
Label	Yes	Approval sign: ENEC10 instead of ENEC13
Packaging	No	No change in packaging

7 Reference Documents / Attachments

Kind of document	Remarks
Data Sheet 4797	

Product Change Notification					PCN 4797 Approval Marking		
owner	creation date	release date	released by	change order no	rev	page	D10-023-983
vetersa	07.03.2018	27.03.2018	limachcl	2014860	A	2 of 2	