

**1 Products affected**

Product hierarchy no. *				Part no.	SBU	Type / Description	Customer part no.
SBU	PG	PUG	Type				
02	005	016	0000001103	See list below	Power Entry Modules w/o Filter	6200	
02	005	016	0000001104	See list below	Power Entry Modules w/o Filter	6202	
02	005	016	0000001105	See list below	Power Entry Modules w/o Filter	6205	
02	005	016	0000001106	See list below	Power Entry Modules w/o Filter	6220	

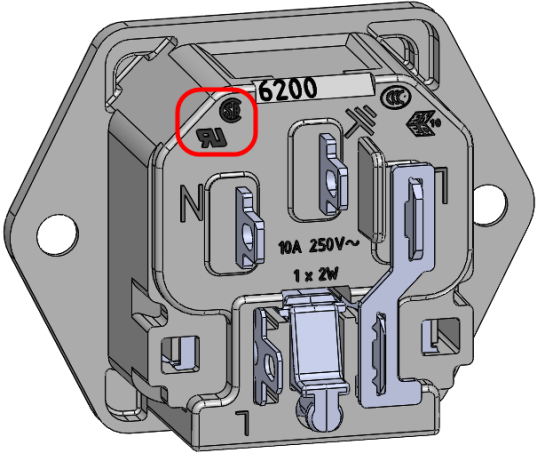
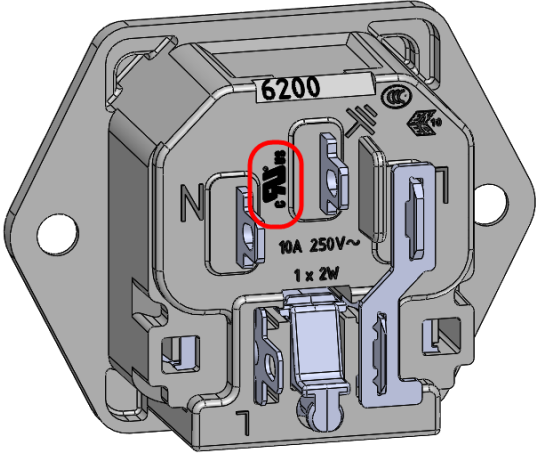
\*SBU (2-digit) / PG (3-digit) / PUG (3-digit) / Type (10-digit)

List of numbers affected:								
6200		6202		6205		6220		
3-102-235	6200.4130	6200.9100	6202.2100	6205.2100	6205.4320	3-100-305	6220.5212	
6001.9000	6200.4210	6200.9200	6202.2200	6205.2200	6205.4325	3-101-727	6220.5215	
6001.9001	6200.4212		6202.2300	6205.2300	6205.4330	6220.2100	6220.5220	
6001.9002	6200.4215			6205.4110		6220.2200	6220.5225	
6001.9004	6200.4220			6205.4112		6220.2300	6220.5230	
6200.2100	6200.4225			6205.4115		6220.5110	6220.5310	
6200.2200	6200.4230			6205.4120		6220.5112	6220.5312	
6200.2300	6200.4310			6205.4215		6220.5115	6220.5315	
6200.4110	6200.4312			6205.4220		6220.5115.12	6220.5320	
6200.4112	6200.4315			6205.4230		6220.5120	6220.5325	
6200.4115	6200.4320			6205.4310		6220.5125	6220.5330	
6200.4120	6200.4325			6205.4312		6220.5130		
6200.4125	6200.4330			6205.4315		6220.5210		

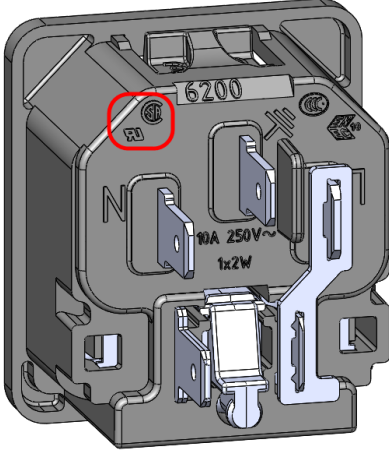
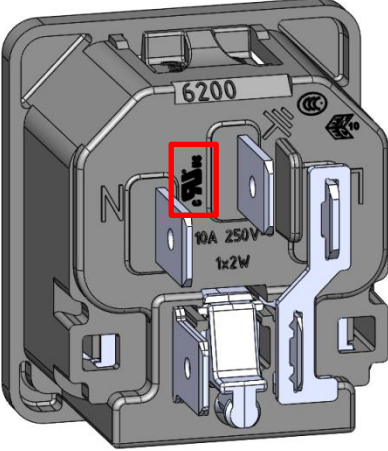
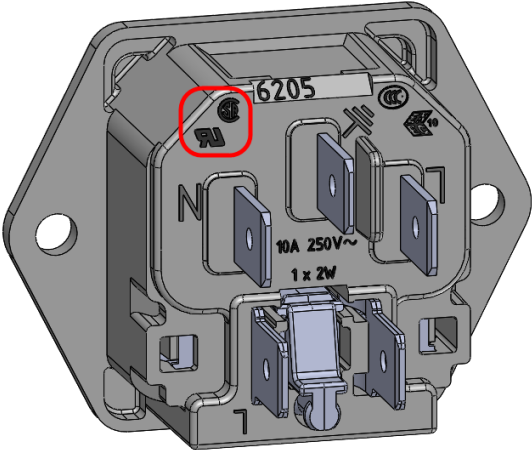
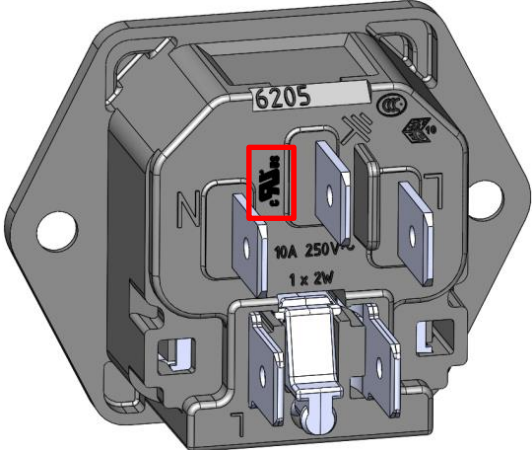
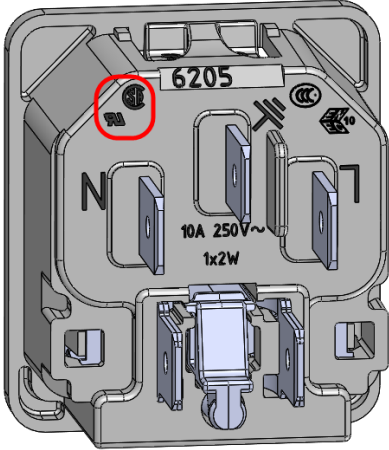
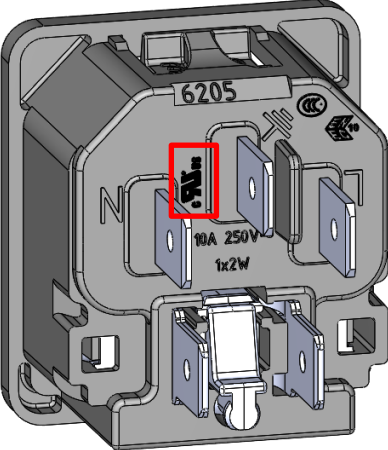
**2 Type of change**

- Change of markings, from UR and CSA to cURus
- Modified packaging label

**3 Detailed description of change**

Type 6200 screw-on version Same change for 6202 (protection class II, without earth contact)	
Old product appearance	New product appearance
	

Product Change Notification						6200/6202/6205/6220 Power Entry Module	
owner	creation date	release date	released by	change order no	rev	page	D10-025-759
sariogar	28.05.2018	23.11.2018	limachcl	2015479	A	1 of 4	

Type 6200 snap-in version Same change for 6202 (protection class II, without earth contact)	
Old product appearance	New product appearance
	
Type 6205	
Old product appearance	New product appearance
Type 6205 screw-on version 	
Type 6205 snap-in version 	

Product Change Notification					6200/6202/6205/6220 Power Entry Module		
owner	creation date	release date	released by	change order no	rev	page	D10-025-759
sariogar	28.05.2018	23.11.2018	limachcl	2015479	A	2 of 4	

Type 6220	
Old product appearance	New product appearance
<p>Type 6220 screw-on version</p>	
<p>Type 6220 snap-in version</p>	
Old label with 6 digits type designations	New label with 4 digits type designations

Product Change Notification							6200/6202/6205/6220 Power Entry Module	
owner	creation date	release date	released by	change order no	rev	page	D10-025-759	
sariogar	28.05.2018	23.11.2018	limachcl	2015479	A	3 of 4		

**4 Reason of change**

- Consolidation of approval certificates for North America

**5 Release date**

The change will be rolled-out starting ww 01//2019 (Date code 1901 or higher on label) and lasts approx. 6 months depending on the variant. This change has no effect on the validity of the approval certificates.

**6 Impact of change and recommended action**

Form	Yes	Change of approval markings
Fit	No	No change for dimension
Function	No	No change in function
Manufacturing	No	No change for manufacturing site
Label	Yes	Change of approval markings and type designations on packaging label
Packaging	No	No change in packaging

**7 Reference Documents / Attachments**

Kind of document	Remarks
<a href="#">Data sheet 6200</a>	
<a href="#">Data sheet 6202</a>	
<a href="#">Data sheet 6205</a>	
<a href="#">Data sheet 6220</a>	

Product Change Notification					6200/6202/6205/6220 Power Entry Module		
owner	creation date	release date	released by	change order no	rev	page	D10-025-759
sariogar	28.05.2018	23.11.2018	limachcl	2015479	A	4 of 4	