

1 Products affected

Product hierarchy no. *				Part no.	SBU	Type / Description	Customer part no.
SBU	PG	PUG	Type				
80	084	002	0000006148	See list below	EMC	FSS-65	

*SBU (2-digit) / PG (3-digit) / PUG (3-digit) / Type (10-digit)

List of part numbers affected

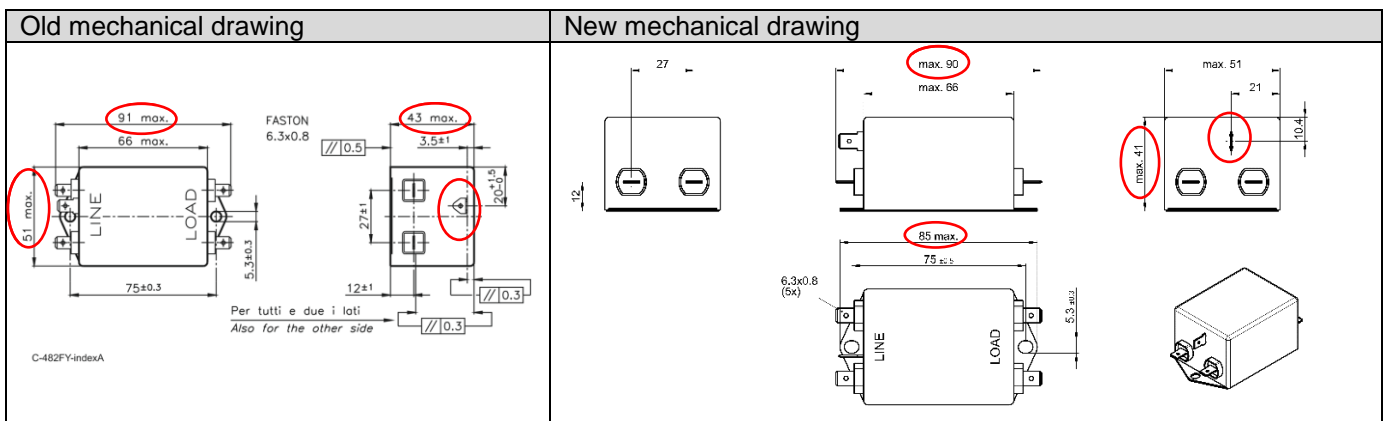
5500.2053	5500.2054	5500.2055		
-----------	-----------	-----------	--	--

2 Type of change

- Nickel plated steel case instead of aluminium case
- Different shape of external quick connect terminals

3 Detailed description of change

- Change of product appearance due to new nickel-plated steel case instead of aluminium case
- Different shape of plastic part for external quick connector terminals
- Moved position and turned protective earth terminal to a vertical position



Product Change Notification					PCN FSS-65 case 48 redesign		
owner	creation date	release date	released by	change order no	rev	page	D10-046-213
doriaan	06.08.2020	06.08.2020	blumhe	2020029	B	1 of 2	

4 Reason of change

- Improved filter performance due to completely closed steel case
- Reorganization of production process

5 Release date

The change will be rolled-out starting wk01/2021 (Date code 2101 or higher on label) and lasts approx. 6 months depending on the variant

6 Impact of change and recommended action

Form	Yes	New housing material and different quick connect terminals
Fit	Yes	Earth terminal position changed
Function	No	No change in function
Manufacturing	No	Change of production site
Label	No	Change on label
Packaging	No	Change in packaging

7 Reference Documents / Attachments

Kind of document	Remarks
FSS	

Product Change Notification					PCN FSS-65 case 48 redesign		
owner	creation date	release date	released by	change order no	rev	page	D10-046-213
doriaan	06.08.2020	06.08.2020	blumhe	2020029	B	2 of 2	