

1 Products affected

| Product hierarchy no. * | | | Part no. | SBU | Type / Description | Customer part no. |
|-------------------------|-----|------|------------|----------------|----------------------------------|-------------------|
| SBU | PG | Type | | | | |
| 01 | 002 | 002 | 0000000508 | See list below | Fuseholder (complete and socket) | FIN |
| 01 | 002 | 063 | 0000000593 | See list below | Fuseholder (carrier) | FIN |





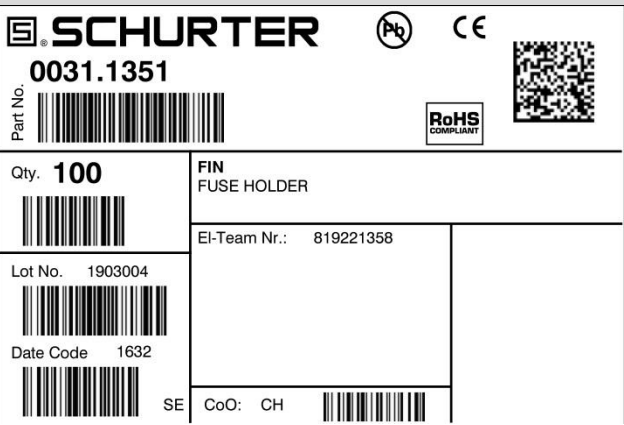

*SBU (2-digit) / PG (3-digit) / PUG (3-digit) / Type (10-digit)

| List of part numbers affected | | | | | | |
|-------------------------------|--------------|-----------|--|--|--|--|
| FIN complete | | | | | | |
| 0031.1351 | 0031.1351.01 | 0031.1353 | | | | |
| FIN socket | | | | | | |
| 0031.1352 | 0031.1354 | | | | | |
| FIN/FIO carrier | | | | | | |
| 0031.1371 | 0031.1372 | | | | | |

2 Type of change

- Change of material
- Modified marks
- Modified label

3 Detailed description of change

| Old product appearance | | New product appearance | |
|---|---|--|---|
|  |  |  |  |
| Old label | | New label | |
|  | |  | |

| Product Change Notification | | | | | | FIN plastic material change | |
|-----------------------------|---------------|--------------|-------------|-----------------|-----|-----------------------------|-------------|
| owner | creation date | release date | released by | change order no | rev | page | D10-007-251 |
| zbindeja | 2016-08-11 | 2016-10-07 | nowakfr | 2010727 | A | 1 of 2 | |

4 Reason of change

- Product improvement to fulfil the enhanced glow wire requirements according to the updated standard IEC 60127-6 and the standard IEC 60335-1 for appliances in unattended use.
- Recertification by VDE

5 Release date

The change will be rolled-out starting ww 46/2016 and lasts approx. 6 months depending on the variant.

Please note the detailed [overview](#) of the already converted fuseholder variants which are produced and approved using the new standard IEC 60127-6 Ed. 2.0.

6 Impact of change and recommended action

| | | |
|-----------------|-----|---|
| Form | Yes | Change of plastic material, modified marking on product |
| Fit | No | No change for dimension |
| Function | No | No change in function |
| Production Site | No | No change of manufacturing site |
| Product Label | Yes | VDE and cURus marks added Electrical ratings added Configuration code added |
| Packaging | No | No change in packaging |

7 Reference Documents / Attachments

| Kind of document | Remarks |
|----------------------------|---------|
| Data Sheet | |
| | |

| | | | | | | |
|-----------------------------|---------------|--------------|-------------|-----------------|-----------------------------|-------------|
| Product Change Notification | | | | | FIN plastic material change | |
| owner | creation date | release date | released by | change order no | rev | page |
| zbindeja | 2016-08-11 | 2016-10-07 | nowakfr | 2010727 | A | 2 of 2 |
| | | | | | | D10-007-251 |