

1 Products affected

Product hierarchy no. *				Part no.	SBU	Type / Description	Customer part no.
SBU	PG	PUG	Type				
01	002	002	0000000507	See list below	Fuseholder (complete and socket)	FIO	
01	002	063	0000000593	See list below	Fuseholder (carrier)	FIO	

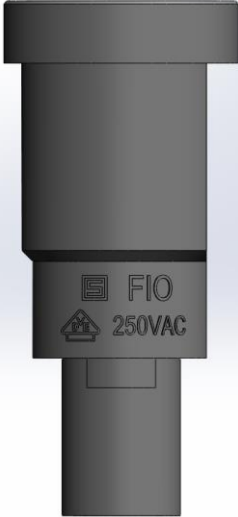
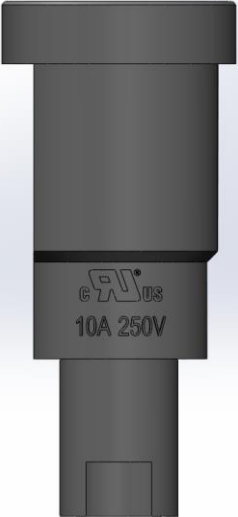
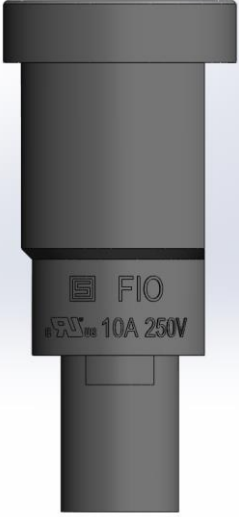

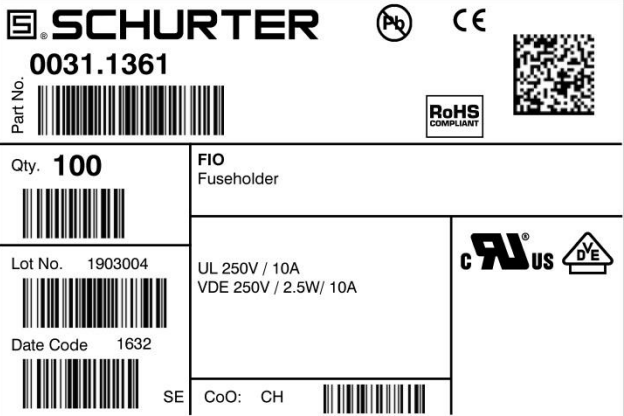

*SBU (2-digit) / PG (3-digit) / PUG (3-digit) / Type (10-digit)

List of part numbers affected				
FIO complete				
0031.1361	0031.1363	0031.1381	0031.1383	0031.9908
0031.1363.FE				
FIO socket				
0031.1362	0031.1364	0031.1382	0031.1384	
FIN/FIO carrier				
0031.1371	0031.1372			

2 Type of change

- Change of material
- Modified marks
- Modified label

3 Detailed description of change

Old product appearance		New product appearance	
			
Old label		New label	
			

Product Change Notification					FIO plastic material change		
owner	creation date	release date	released by	change order no	rev	page	D10-007-252
zbindeja	2016-08-11	2016-10-07	nowakfr	2010727	A	1 of 2	

4 Reason of change

- Product improvement to fulfil the enhanced glow wire requirements according to the updated standard IEC 60127-6 and the standard IEC 60335-1 for appliances in unattended use.
- Recertification by VDE

5 Release date

The change will be rolled-out starting ww 46/2016 and lasts approx. 6 months depending on the variant.

Please note the detailed [overview](#) of the already converted fuseholder variants which are produced and approved using the new standard IEC 60127-6 Ed. 2.0.

6 Impact of change and recommended action

Form	Yes	Change of plastic material, modified marking on product
Fit	No	No change for dimension
Function	No	No change in function
manufacturing	No	No change of manufacturing site
Label	Yes	Configuration code added
Packaging	No	No change in packaging

7 Reference Documents / Attachments

Kind of document	Remarks
Data Sheet	

Product Change Notification					FIO plastic material change		
owner	creation date	release date	released by	change order no	rev	page	D10-007-252
zbindeja	2016-08-11	2016-10-07	nowakfr	2010727	A	2 of 2	