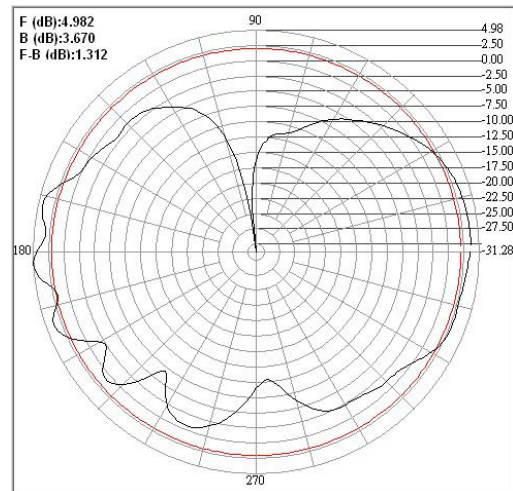
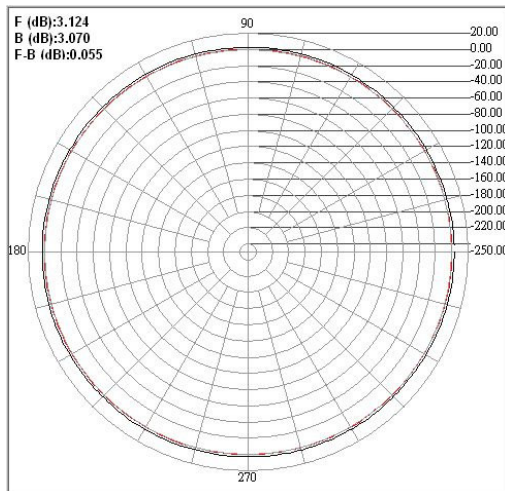
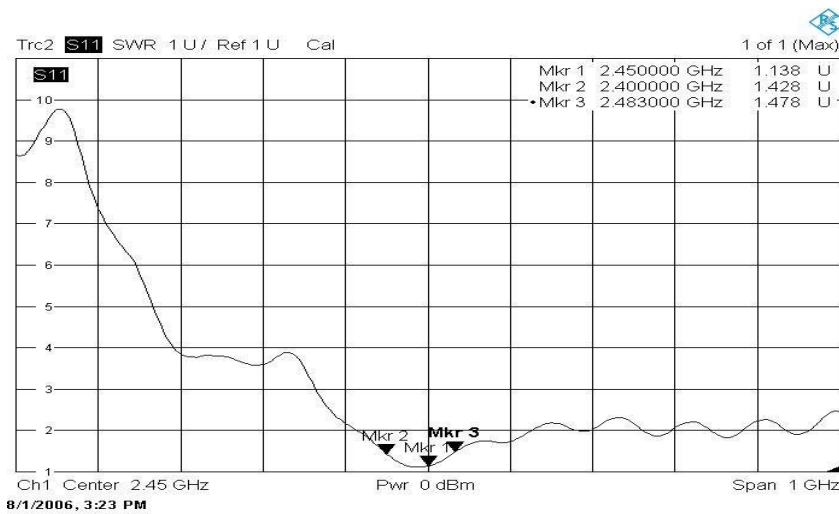


CTI-RA-C01 – 2.4GHZ WIFI / ZIGBEE ANTENNA SWIVEL BASE

WiFi / Zigbee Dipole Antenna

Frequency: 2.4GHz to 2.485GHz
 Gain: 3dBi
 VSWR: Less than 2:1 in all bands
 Impedance: 50Ω



Physical Data

Gross Dimensions: 13mm Dia. x 137mm long with a swivel base
 Material: Black ABS Radome and base
 Operating Temp: -30°C to +85°C
 Cable Length: N/A
 Connectors: SMA (m) Reverse Polarity

The above data is to be used as baseline information only. For a more detailed specification, application support or application approval samples, please contact our technical support help desk on +44(0) 2392327 020. We reserve the right to modify the specifications without prior notice.