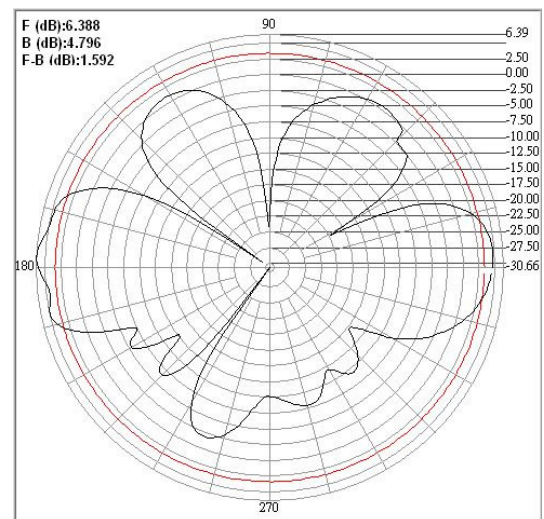
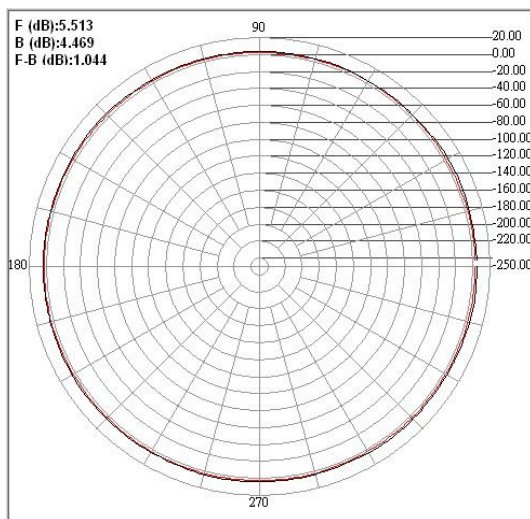
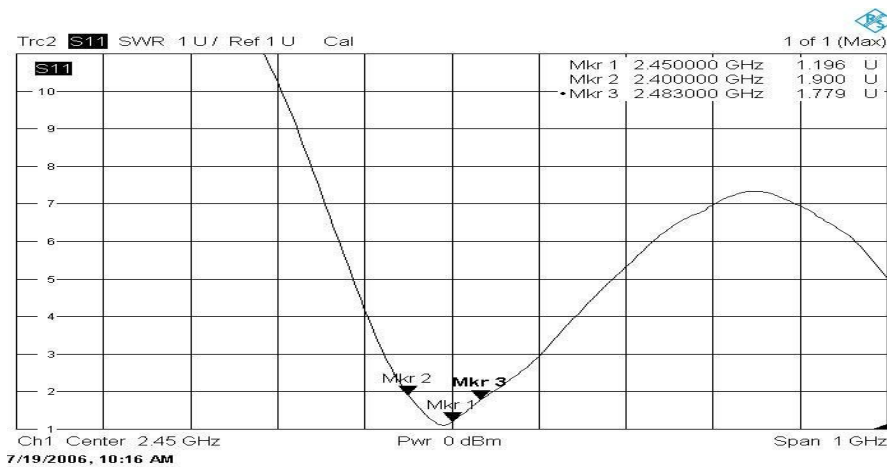


## CTI-RA-H01 – 2.4GHz WiFi / ZIGBEE ANTENNA SWIVEL BASE

### WiFi / Zigbee 5/8λ Antenna

Frequency: 2.4GHz to 2.485GHz  
 Gain: 5dBi  
 VSWR: Less than 2:1 in all bands  
 Impedance: 50Ω



### Physical Data

Gross Dimensions: 13mm Dia. x 210mm long with a swivel base  
 Material: Black ABS Radome and base  
 Operating Temp: -30°C to +85°C  
 Cable Length: N/A  
 Connectors: SMA (m) Reverse Polarity

The above data is to be used as baseline information only. For a more detailed specification, application support or application approval samples, please contact our technical support help desk on +44(0) 2392327 020. We reserve the right to modify the specifications without prior notice.