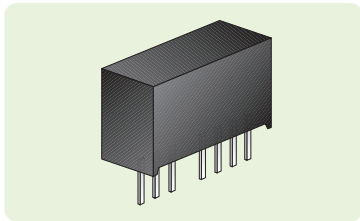


MAGNETIX type MDL

2W, Regulated + Control Pin Output, Wide Input



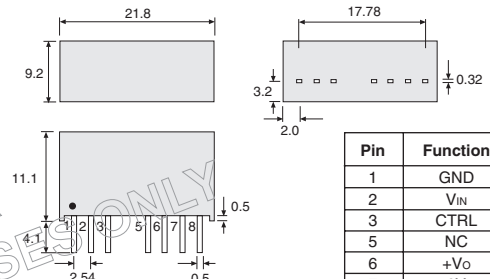
- ◆ 8 pin SIL package
- ◆ Control pin
- ◆ 1kV isolation
- ◆ Wide input (2:1)
- ◆ Regulated output
- ◆ UL94V-0
- ◆ Short circuit protection
- ◆ Competitively priced

Specification

Input voltage range	
5V	4.5-9V
12V	9-18V
24V	18-36V
Line regulation	0.5%
Load regulation	0.75%
Min. load	25% full load
Switching frequency (full to min. load)	100 to 650kHz
Operating temperature range	-40°C to +85°C

Nominal Input (V)	Output (V)	Output Current (mA)	Manf. Part No. & Anglia Order Code
5	5	400	MDL0505S
5	12	167	MDL0512S
5	15	134	MDL0515S
12	5	400	MDL1205S
12	12	167	MDL1212S
12	15	134	MDL1215S
24	5	400	MDL2405S
24	12	167	MDL2412S
24	15	134	MDL2415S

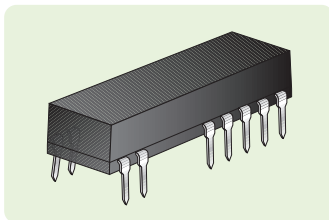
Dimensions (mm)



Pin	Function
1	GND
2	V _{IN}
3	CTRL
5	NC
6	+V _O
7	0V
8	NC

MAGNETIX type MMS

2W, Dual Output, 6kV Isolation



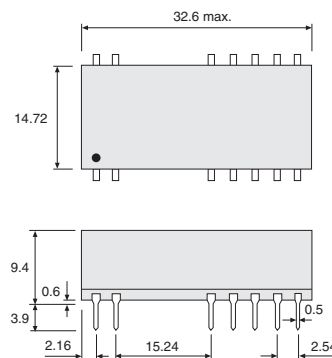
- ◆ 24 pin-DIL package
- ◆ Dual output
- ◆ 6kV isolation
- ◆ UL94V-0
- ◆ High efficiency
- ◆ Competitively priced

Specification

Input voltage range	±10%
Line regulation	1.2% per 1% V _{IN}
Switching frequency	35kHz (typ.)
Operating temperature range	0°C to +70°C

Nominal Input (V)	Output (V)	Output Current (mA)	Load Regulation % (10% to 100% load)	Manf. Part No. & Anglia Order Code
5	5	±200	15	MMS0505
5	9	±112	15	MMS0509
5	12	±84	15	MMS0512
5	15	±67	15	MMS0515
12	5	±200	15	MMS1205
12	9	±112	15	MMS1209
12	12	±84	15	MMS1212
12	15	±67	15	MMS1215

Dimensions (mm)



Pin Connections (Top View)

