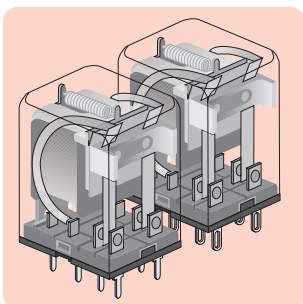


MINIATURE POWER

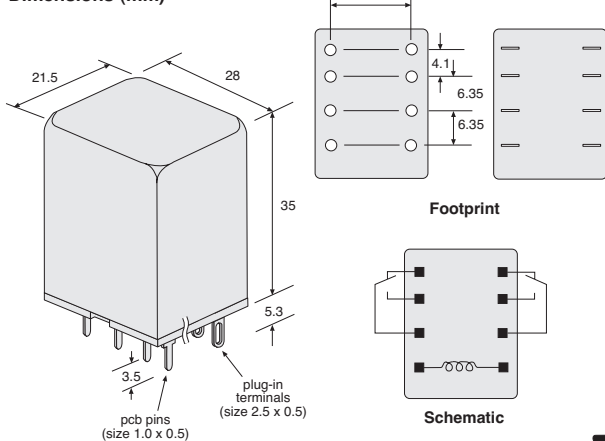
OKO type K42 (2C)

Miniature power, **double pole** changeover, industry standard relays with silver alloy contacts rated 5A. Choice of pcb pins or plug-in terminals and dc or ac coils.



- ◆ DPCO silver alloy
- ◆ Rated 5A
- ◆ DC or AC coils
- ◆ Miniature power package
- ◆ PCB or Plug-in terminals
- ◆ Industry standard
- ◆ Very competitively priced

Dimensions (mm)



Specification

Contacts.....	DPCO rated DC: 5A, 30V AC: 5A, 250V
Coil.....	Silver alloy Power consumption 900mW (DC) 1.2VA (AC)
Speed.....	Operating voltage range 80-110% Operating time 25ms max. Release time 25ms max.
Life expectancy.....	Mechanical: 20 x 10 ⁶ operations min. Electrical: 2 x 10 ⁵ operations min.
Oper. temp. range.....	-55°C to +55°C

DC COILS

Coil Voltage/Resistance

5Vdc/27.5Ω
6Vdc/40Ω
12Vdc/160Ω
24Vdc/650Ω
48Vdc/2600Ω
110Vdc/11000Ω

Manf. Part No. & anglia Order Code	
PCB terminals	Plug-in terminals
K42DP2C05	K42DS2C05
K42DP2C06	K42DS2C06
K42DP2C12	K42DS2C12
K42DP2C24	K42DS2C24
K42DP2C48	K42DS2C48
K42DP2C110	K42DS2C110

AC COILS

Coil Voltage

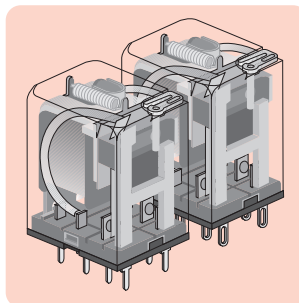
6Vac 50/60Hz
12Vac 50/60Hz
24Vac 50/60Hz
48Vac 50/60Hz
110/120Vac 50/60Hz
220/240Vac 50/60Hz

Manf. Part No. & anglia Order Code	
PCB terminals	Plug-in terminals
K42DP2C06A	K42DS2C06A
K42DP2C12A	K42DS2C12A
K42DP2C24A	K42DS2C24A
K42DP2C48A	K42DS2C48A
K42DP2C120A	K42DS2C120A
K42DP2C240A	K42DS2C240A

OKO type K42-T (2C) - Full feature

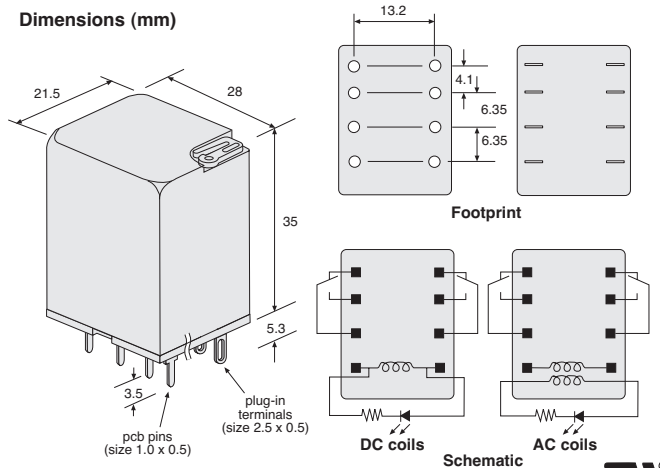


Full featured miniature power, **double pole** changeover relays incorporating a test button with latching facility, coil status LED indicator and mechanical flag indicator. Choice of pcb pins or plug-in terminals and dc or ac coils.



- ◆ DPCO silver alloy
- ◆ LED (Coil status) indication
- ◆ Manual test button
- ◆ Mechanical flag
- ◆ Rated 5A
- ◆ DC or AC coils
- ◆ Miniature power package
- ◆ PCB or Plug-in terminals

Dimensions (mm)



Specification

Contacts.....	DPCO rated DC: 5A, 30V AC: 5A, 250V
Coil.....	Silver alloy Power consumption 900mW (DC) 1.2VA (AC)
Speed.....	Operating voltage range 80-110% Operating time 25ms max. Release time 25ms max.
Life expectancy.....	Mechanical: 20 x 10 ⁶ operations min. Electrical: 2 x 10 ⁵ operations min.
Oper. temp. range.....	-55°C to +55°C

DC COILS

Coil Voltage/Resistance

5Vdc/27.5Ω
6Vdc/40Ω
12Vdc/160Ω
24Vdc/650Ω
48Vdc/2600Ω
110Vdc/11000Ω

Manf. Part No. & anglia Order Code	
PCB terminals	Plug-in terminals
K42DP2C05T	K42DS2C05T
K42DP2C06T	K42DS2C06T
K42DP2C12T	K42DS2C12T
K42DP2C24T	K42DS2C24T
K42DP2C48T	K42DS2C48T
K42DP2C110T	K42DS2C110T

AC COILS

Coil Voltage

6Vac 50/60Hz
12Vac 50/60Hz
24Vac 50/60Hz
48Vac 50/60Hz
110/120Vac 50/60Hz
220/240Vac 50/60Hz

Manf. Part No. & anglia Order Code	
PCB terminals	Plug-in terminals
K42DP2C06AT	K42DS2C06AT
K42DP2C12AT	K42DS2C12AT
K42DP2C24AT	K42DS2C24AT
K42DP2C48AT	K42DS2C48AT
K42DP2C120AT	K42DS2C120AT
K42DP2C240AT	K42DS2C240AT

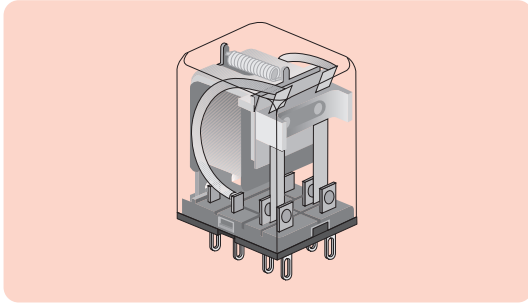
For suitable Surface/DIN Rail Sockets refer to page 555

MINIATURE POWER



OMRON type MY2-S (2 pole plug-in) - Full feature

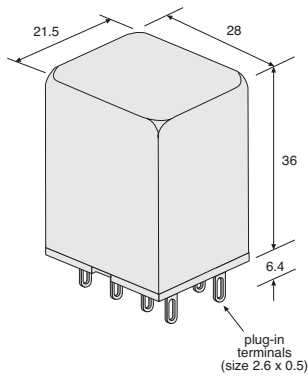
New models of Omron's industry standard, miniature power relays, with cadmium free contacts rated at 5A. Options include with and without LED indicator, test button with indicator and ac or dc coils.



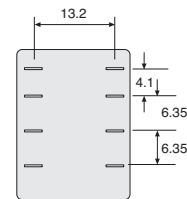
- ◆ DPCO cadmium free
- ◆ Rated 5A
- ◆ DC or AC coils
- ◆ Indicator option
- ◆ Test button option
- ◆ Flag indicator
- ◆ Label facility
- ◆ Plug-in/solder terminals



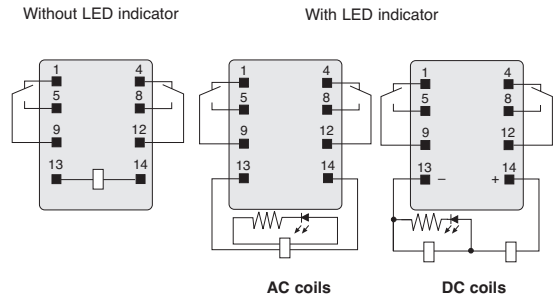
Dimensions (mm)



Footprint



Schematic



Specification

Contacts	DPCO rated DC: 5A, 30V AC: 5A, 250V
Coil	Silver alloy Power consumption 900mW (DC) 1.2VA (AC)
Speed	Operating voltage range 80-110% Operating time 20ms max. Release time 20ms max.
Life expectancy	Mechanical: 50 x 10 ⁶ operations min. Electrical: 5 x 10 ⁵ operations min.
Oper. temp. range	-55°C to +70°C

DC COILS

Coil Voltage/
Resistance

12Vdc/160Ω
24Vdc/636Ω
48Vdc/2560Ω

AC COILS

Coil Voltage

12Vac 50/60Hz
24Vac 50/60Hz
48Vac 50/60Hz
110/120Vac 50/60Hz
220/240Vac 50/60Hz

Manf. Part No. &
anglia Order Code

Without LED indicator	With LED indicator	With indicator & test button
MY2-12DC-S	MY2N-12DC-S	MY2IN-12DC-S
MY2-24DC-S	MY2N-24DC-S	MY2IN-24DC-S
MY2-48DC-S	MY2N-48DC-S	MY2IN-48DC-S

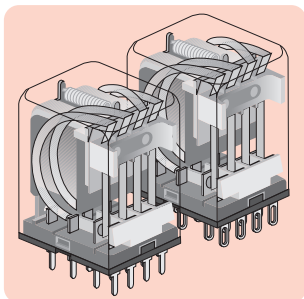
Manf. Part No. &
anglia Order Code

Without LED indicator	With LED indicator	With indicator & test button
MY2-12AC-S	MY2N-12AC-S	MY2IN-12AC-S
MY2-24AC-S	MY2N-24AC-S	MY2IN-24AC-S
MY2-48AC-S	MY2N-48AC-S	MY2IN-48AC-S
MY2-110/120AC-S	MY2N-110/120AC-S	MY2IN-110/120AC-S
MY2-220/240AC-S	MY2N-220/240AC-S	MY2IN-220/240AC-S

MINIATURE POWER

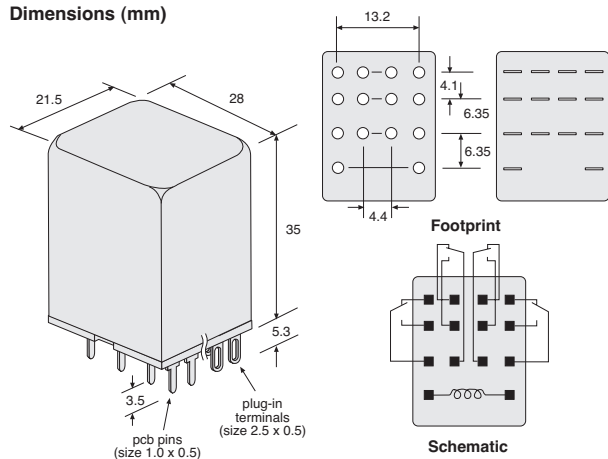
OKO type K42 (4C)

Miniature power, **four pole** changeover, industry standard relays with silver alloy contacts rated 3A and incorporating a flashover barrier. Choice of pcb pins or plug-in terminals and dc or ac coils.



- ◆ 4PCO silver alloy
- ◆ Rated 3A
- ◆ Flashover barrier
- ◆ DC or AC coils
- ◆ Miniature power package
- ◆ PCB or Plug-in terminals
- ◆ Industry standard
- ◆ Very competitively priced

Dimensions (mm)



Specification

Contacts.....	4PCO rated DC: 3A, 30V AC: 3A, 250V
Coil.....	Silver alloy Power consumption 900mW (DC) 1.2VA (AC)
Speed.....	Operating voltage range 80-110% Operating time 25ms max. Release time 25ms max.
Life expectancy.....	Mechanical: 20 x 10 ⁶ operations min. Electrical: 5 x 10 ⁵ operations min.
Oper. temp. range.....	-55°C to +55°C

DC COILS

Coil Voltage/Resistance

5Vdc/27.5Ω
6Vdc/40Ω
12Vdc/160Ω
24Vdc/650Ω
48Vdc/2600Ω
110Vdc/11000Ω

Manf. Part No. & anglia Order Code	
PCB terminals	Plug-in terminals
K42DP4C05	K42DS4C05
K42DP4C06	K42DS4C06
K42DP4C12	K42DS4C12
K42DP4C24	K42DS4C24
K42DP4C48	K42DS4C48
K42DP4C110	K42DS4C110

AC COILS

Coil Voltage

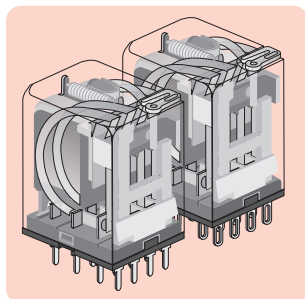
6Vac 50/60Hz
12Vac 50/60Hz
24Vac 50/60Hz
48Vac 50/60Hz
110/120Vac 50/60Hz
220/240Vac 50/60Hz

Manf. Part No. & anglia Order Code	
PCB terminals	Plug-in terminals
K42DP4C06A	K42DS4C06A
K42DP4C12A	K42DS4C12A
K42DP4C24A	K42DS4C24A
K42DP4C48A	K42DS4C48A
K42DP4C120A	K42DS4C120A
K42DP4C240A	K42DS4C240A

OKO type K42-T (4C) - Full feature

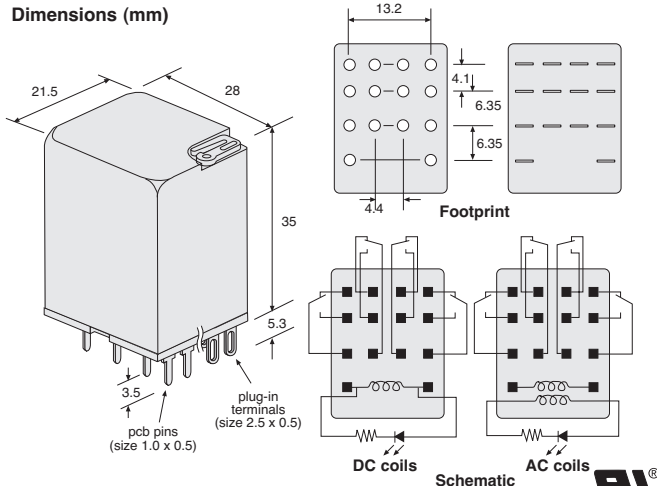


Full featured **four pole** changeover relays incorporating a test button with latching facility, coil status LED indicator and mechanical flag indicator. Choice of pcb pins or plug-in terminal, and dc or ac coils.



- ◆ 4PCO silver alloy
- ◆ LED (Coil status) indication
- ◆ Manual test button
- ◆ Mechanical flag
- ◆ Flashover barrier
- ◆ Rated 3A
- ◆ DC or AC coils
- ◆ Miniature power package
- ◆ PCB or Plug-in terminals

Dimensions (mm)



Specification

Contacts.....	4PCO rated DC: 3A, 30V AC: 3A, 250V
Coil.....	Silver alloy Power consumption 900mW (DC) 1.2VA (AC)
Speed.....	Operating voltage range 80-110% Operating time 25ms max. Release time 25ms max.
Life expectancy.....	Mechanical: 20 x 10 ⁶ operations min. Electrical: 5 x 10 ⁵ operations min.
Oper. temp. range.....	-55°C to +55°C

DC COILS

Coil Voltage/Resistance

5Vdc/27.5Ω
6Vdc/40Ω
12Vdc/160Ω
24Vdc/650Ω
48Vdc/2600Ω
110Vdc/11000Ω

Manf. Part No. & anglia Order Code	
PCB terminals	Plug-in terminals
K42DP4C05T	K42DS4C05T
K42DP4C06T	K42DS4C06T
K42DP4C12T	K42DS4C12T
K42DP4C24T	K42DS4C24T
K42DP4C48T	K42DS4C48T
K42DP4C110T	K42DS4C110T

AC COILS

Coil Voltage

6Vac 50/60Hz
12Vac 50/60Hz
24Vac 50/60Hz
48Vac 50/60Hz
110/120Vac 50/60Hz
220/240Vac 50/60Hz

Manf. Part No. & anglia Order Code	
PCB terminals	Plug-in terminals
K42DP4C06AT	K42DS4C06AT
K42DP4C12AT	K42DS4C12AT
K42DP4C24AT	K42DS4C24AT
K42DP4C48AT	K42DS4C48AT
K42DP4C120AT	K42DS4C120AT
K42DP4C240AT	K42DS4C240AT

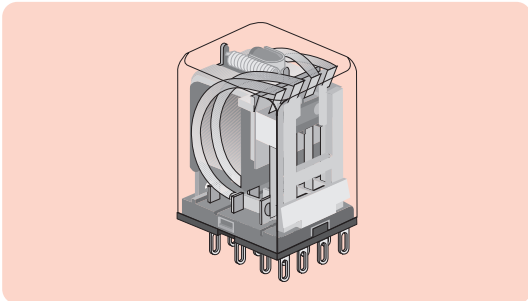
For suitable Surface/DIN Rail Sockets refer to page 555

MINIATURE POWER



OMRON type MY4-S (4 pole plug-in) - Full feature

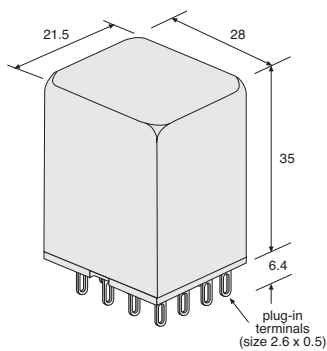
New models of Omron's industry standard, miniature power relays with cadmium free contacts rated at 3A. Options include with and without LED indicator, test button with indicator and ac or dc coils. These four pole versions have an integral arc barrier fitted between the poles.



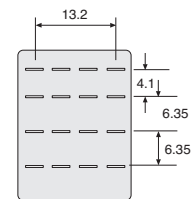
- ◆ 4PCO cadmium free
- ◆ Rated 3A
- ◆ DC or AC coils
- ◆ Indicator option
- ◆ Test button option
- ◆ Flag indicator
- ◆ Label facility
- ◆ Arc barrier
- ◆ Plug-in/solder terminals



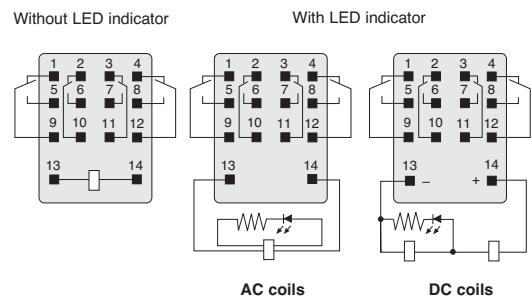
Dimensions (mm)



Footprint



Schematic



Specification

Contacts	4PCO rated DC: 3A, 30V AC: 3A, 250V
Coil	Silver alloy Power consumption 900mW (DC) 1.2VA (AC)
Speed	Operating voltage range 80-110% Operating time 20ms max. Release time 20ms max.
Life expectancy	Mechanical: 50 x 10 ⁶ operations min. Electrical: 2 x 10 ⁵ operations min.
Oper. temp. range	-55°C to +70°C

DC COILS

Coil Voltage/
Resistance

12Vdc/160Ω
24Vdc/636Ω
48Vdc/2560Ω

AC COILS

Coil Voltage

12Vac 50/60Hz
24Vac 50/60Hz
48Vac 50/60Hz
110/120Vac 50/60Hz
220/240Vac 50/60Hz

Manf. Part No. &
anglia Order Code

Without LED indicator	With LED indicator	With indicator & test button
MY4-12DC-S	MY4N-12DC-S	MY4IN-12DC-S
MY4-24DC-S	MY4N-24DC-S	MY4IN-24DC-S
MY4-48DC-S	MY4N-48DC-S	MY4IN-48DC-S

Manf. Part No. &
anglia Order Code

Without LED indicator	With LED indicator	With indicator & test button
MY4-12AC-S	MY4N-12AC-S	MY4IN-12AC-S
MY4-24AC-S	MY4N-24AC-S	MY4IN-24AC-S
MY4-48AC-S	MY4N-48AC-S	MY4IN-48AC-S
MY4-110/120AC-S	MY4N-110/120AC-S	MY4IN-110/120AC-S
MY4-220/240AC-S	MY4N-220/240AC-S	MY4IN-220/240AC-S