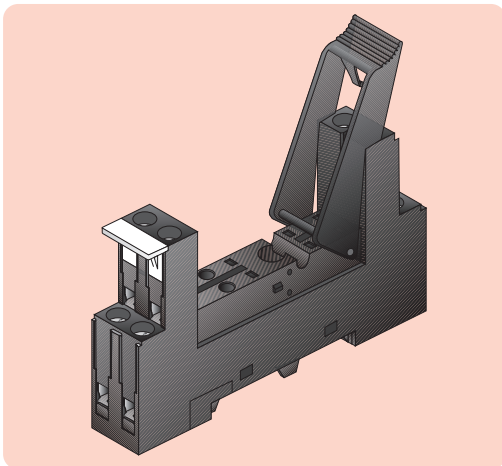


SURFACE/DIN RAIL SOCKETS

OKO type KSD1P, 2P & 1P/S, 2P/S

A range of slim surface/DIN rail mounting sockets designed to accommodate the OKO K4/K4T and K5/K5T miniature power series or other compatible relays. Rated 12A (per circuit), 300Vac. Flame retardant body, to UL94V-1, houses rising clamp terminals with captive combi screws, touchproof to IP20. Fitted with a relay eject/retaining clip and a removable marking tab. Terminals are marked with numbers and their function.

- ◆ Suit OKO **K4/K4T** and **K5/K5T** series and other similar relays
- ◆ Rated **12A**, 300Vac
- ◆ **Surface** or **DIN rail mounting**
- ◆ Rising clamp terminals with captive "combi" head screws
- ◆ Finger protection to **IP20**
- ◆ Eject/retaining clip provided
- ◆ Fitted with a marking tab
- ◆ Terminals identified
- ◆ **Flame retardant** body
- ◆ Colour **Black**



Specification

Body UL94V-1
PA6 +GF
Current rating 12A
Voltage rating 300Vac

Dimensions (mm)

Length 75
Width 15.5
Height (inc. clip)..... 67.5 (std. profile)
59.5 (low profile)

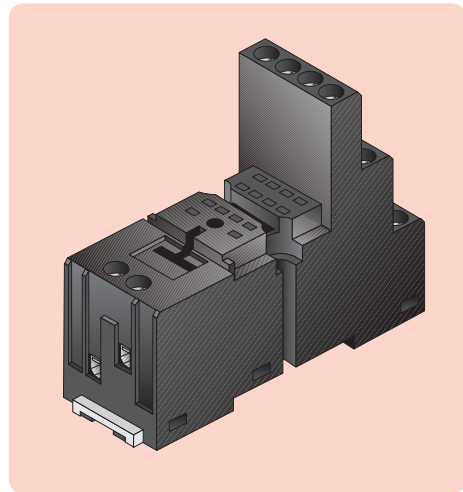
Suitable relay	Contact pin spacing	Manf. Part No. & anglia Order Code
Standard Profile		
OKO type K4A	3.5mm	KSD1P
OKO type K4B & K5A	5.0mm	KSD2P
Low Profile		
OKO type K4T & K4TE	3.5mm	KSD1P/S
OKO type K4TA, K4TC, K4TG, K4TH, K5T & K5TE	5.0mm	KSD2P/S

OKO type KSD4P



A compact surface/DIN rail mounting socket designed to accommodate the OKO K42 (2C & 4C) plug-in miniature power series or other compatible 2 pole and 4 pole relays. Rated 10A, 300Vac. Flame retardant body, to UL94V-0, houses rising clamp terminals with captive combi screws, touchproof to IP20. Terminals are double numbered.

- ◆ Suits OKO **K42** (2C & 4C) series and other similar relays
- ◆ Rated **10A**, 300Vac
- ◆ **Surface** or **DIN rail mounting**
- ◆ Rising clamp terminals with captive "combi" head screws
- ◆ Finger protection to **IP20**
- ◆ Tiered terminals for easy wiring
- ◆ Terminals double numbered
- ◆ UL94V-0 **flame retardant** body
- ◆ Colour **Black**



Specification

Body UL94V-0
PA66
Current rating 10A
Voltage rating 300Vac
Insulation resistance 100MΩ min.

Dimensions (mm)

Length 76
Width 27
Height 60.6

Suitable relay	Manf. Part No. & anglia Order Code
OKO type K42 (2C & 4C)	KSD4P

PLUG-IN MODULES (for Protection & Suppression)
available to special order