

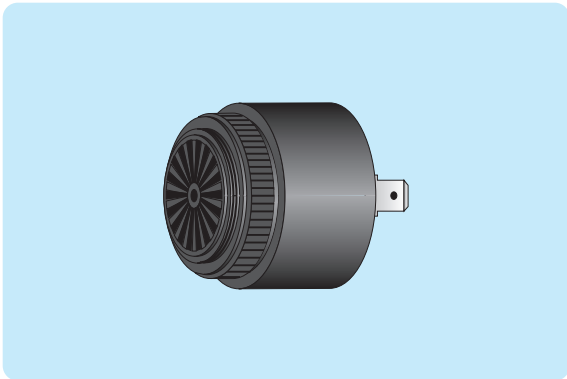
**SOUNDERS continued
(built-in drive)**

PANEL MOUNTING

Two sizes of round panel mounting sounders each with a choice of sound mode. Secured to the panel by a front screw-on outer ring.

Size 36mm

Connection by two rear 6.35mm (0.25in) fast-on tags.
Body colour **Black**.



Specification

Rated voltage 12Vdc
 Supply voltage range 8 - 24Vdc
 Current 20mA
 Sound output 90dB at 30cm
 Frequency 2600Hz
 Oper. temp. range -20°C to +60°C

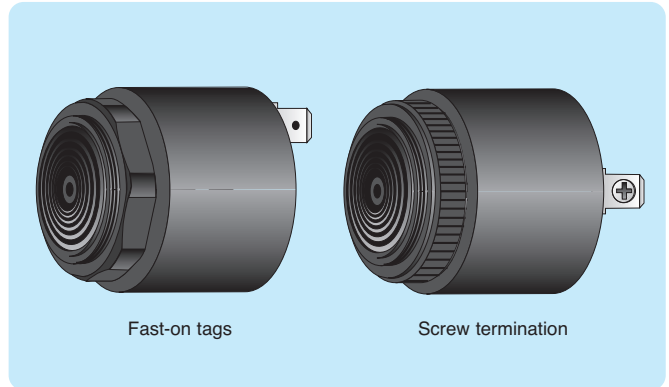
Dimensions (mm)

Body Dia. 36 , L. 22.5 (+10.5 for tags)
 Mounting bush Dia. 28 , L. 10.5
 Max. panel thickness 3

| Size (dia.) | Sound Mode | Manf. Part No. & anglia Order Code |
|-------------|-------------------|------------------------------------|
| 36mm | Continuous | CB350F |
| 36mm | Pulse | CB350PF |
| 36mm | Door bell (chime) | CB350KF |

Size 43mm

Connection by two rear 6.35mm (0.25in) fast-on tags or screw terminals. Body colour **Black**.



Specification

Rated voltage 12Vdc
 Supply voltage range 6 - 28Vdc
 Current 20mA max.
 Sound output 70dB at 60cm min., 6Vdc
 Frequency 2900Hz
 Oper. temp. range -20°C to +60°C

Dimensions (mm)

Body Dia. 43 , L. 33 (+10.5 for tags)
 Mounting bush Dia. 28 , L. 13
 Max. panel thickness 5

| Size (dia.) | Sound Mode | Termination | Manf. Part No. & anglia Order Code |
|-------------|------------|--------------|------------------------------------|
| 43mm | Continuous | Fast-on tags | CB400A |
| 43mm | Pulse | Fast-on tags | CB400AF |
| 43mm | Continuous | Screw | CB400 |
| 43mm | Pulse | Screw | CB400P |

High Power Piezo-Electric Sounders
shown overleaf > > > >